

**Muller**



# Hose Clamps

Product **guide**

---

By.  
**MULLER HYDRAULIC COMPONENTS LTD.**  
[muller-hydraulics.com](http://muller-hydraulics.com)



# MULLER HYDRAULIC



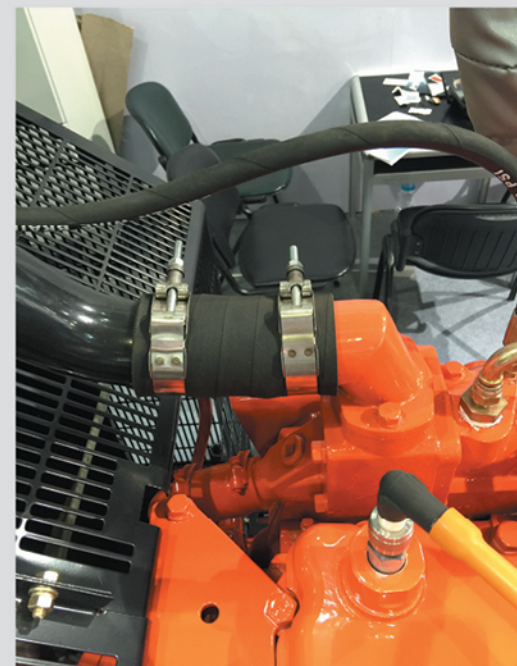
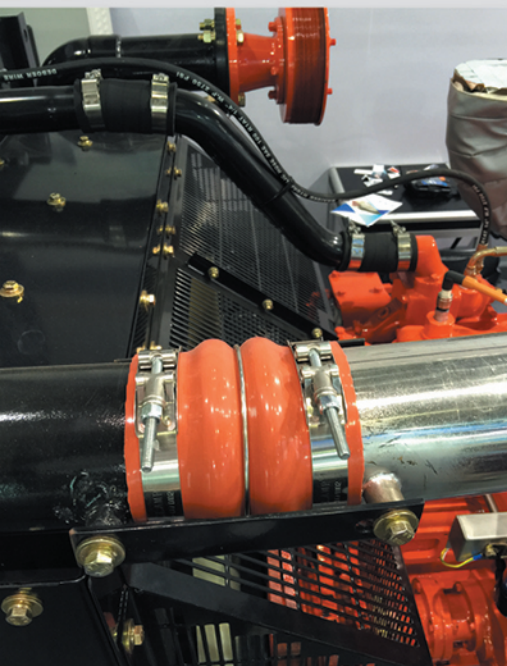
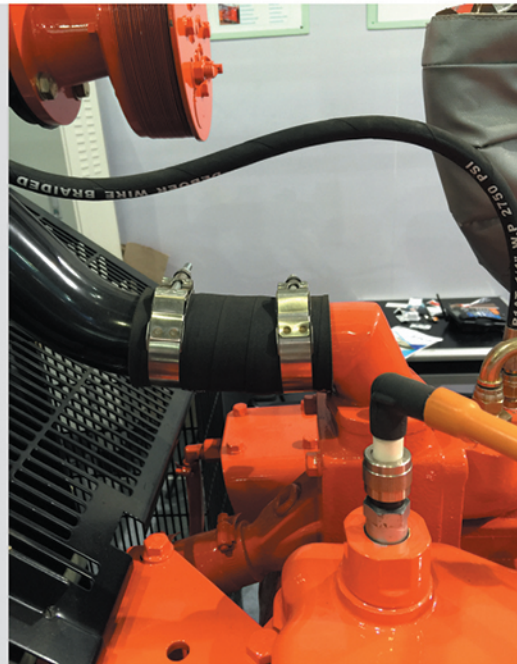
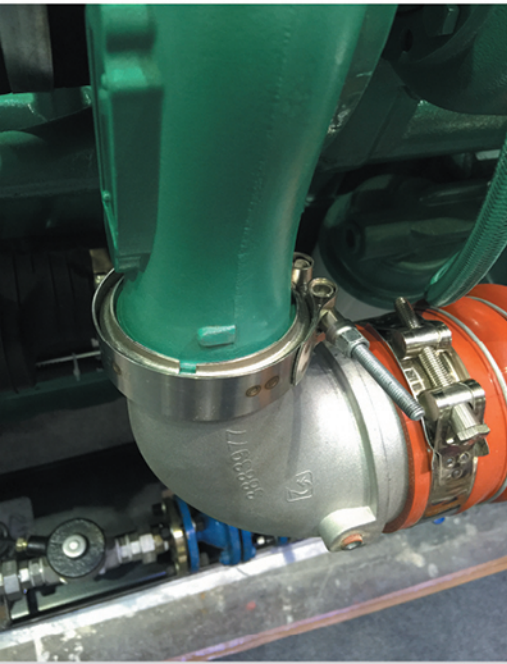
MULLER HYDRAULIC COMPONENTS LIMITED es una compañía especializada en la distribución y producción de componentes para el sector hidráulico e industrial en General, nuestros principales productos incluyen: Abrazaderas para mangueras flexibles y tubería, mangueras, acoples, adaptadores, acoples rápidos, acoples neumáticos entre otros.



Nuestra compañía fue fundada en el año 2011 en la ciudad de Guangzhou bajo el nombre chino: 广州伟策贸易有限公司 con capital 100% extranjero y nuestros productos son actualmente exportados a más de 10 países. Contamos con un excelente talento humano que incluye personal Local y extranjero, quienes entre sí suman más de 50 Años de experiencia en el sector industrial.

# 应用领域

# Application Fields





# CATALOGUE



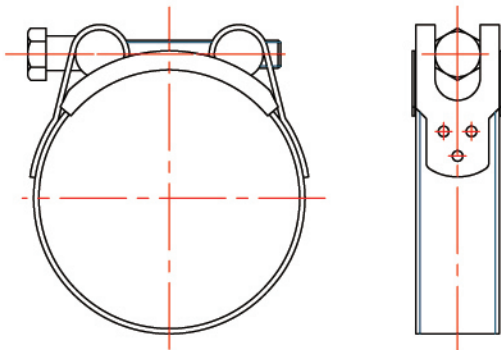
|  |    |
|--|----|
| Company Information.....                           | 1  |
| Application Fields.....                            | 3  |
| Robust Clamp With Solid Nut.....                   | 5  |
| Hollow Heavy Duty Hose Clamp.....                  | 6  |
| Single Bolt Double Band Heavy Duty Hose Clamp..... | 7  |
| Double Bolt Double Band Hose Clamp.....            | 8  |
| T Type Hose Clamp.....                             | 9  |
| T Type Spring Hose Clamp.....                      | 10 |
| Heavy Duy Pipe Clamp With Rubber.....              | 11 |
| P Type Rubber Clamp.....                           | 12 |
| Pear Shaped Hinged Pipe Clamp.....                 | 13 |
| Heavy Struct Channel Clamp.....                    | 14 |
| Germany Type Hose Clamp–DIN3017.....               | 15 |
| Germany Type Hose Clamp With Butterfly key.....    | 16 |
| American Type Hose Clamp.....                      | 17 |
| American Type Hose Clamp With Butterfly Key.....   | 18 |
| European Type Hose Clamp.....                      | 19 |
| Heavy Duty American Type Hose Clamp.....           | 20 |
| British Type Hose Clamp.....                       | 21 |
| Single Ear Hose Clamp.....                         | 22 |
| Double Wire Hose Clamp.....                        | 23 |
| France Type Double Wire Hose Clamp.....            | 24 |
| Spring Hose Clamp.....                             | 25 |
| Mini Hose Clamp.....                               | 26 |
| Mangote Pipe Clamp.....                            | 27 |
| U-Bolt Hose Clamp.....                             | 28 |
| V Band Pipe Clamp.....                             | 29 |
| Coupling Hose Clamp.....                           | 30 |





**Muller**

**单头实心强力卡箍**  
Robust Clamp With Solid Nut



**Note:**

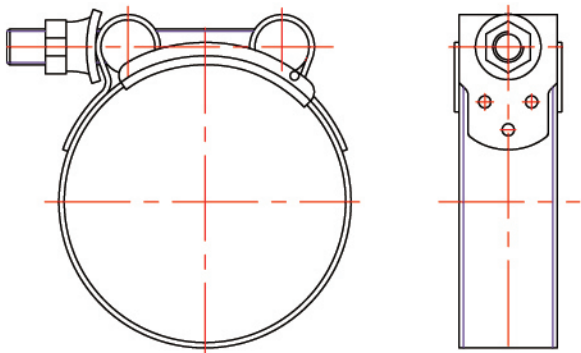
- 1.RG: galvanized Steel
- 2.RS: band and tongue plate are stainless steel, others are galvanized steel
- 3.RSS: stainless steel 200 or 300 series
- 4.RSS5: stainless steel 316

Robust Clamp With Solid Nut

| Bandwidth*Thickness<br>(mm) | Product Code |       |        |         | Size(mm) | Package |         | Carton Size<br>(cm) | G.W./Ctn<br>(kg) | Screw | Torque<br>(N.m) |
|-----------------------------|--------------|-------|--------|---------|----------|---------|---------|---------------------|------------------|-------|-----------------|
|                             |              |       |        |         |          | pcs/bag | pcs/ctn |                     |                  |       |                 |
| 18*0.6/0.6                  | RG19         | RS19  | RSS19  | RSS519  | 17-19    | 10      | 250     | 38*27*13            | 10.75            | M5    | ≥ 5             |
|                             | RG22         | RS22  | RSS22  | RSS522  | 20-22    | 10      | 250     | 38*27*13            | 10.85            | M5    | ≥ 5             |
|                             | RG25         | RS25  | RSS25  | RSS525  | 23-25    | 10      | 250     | 38*27*15            | 11.10            | M5    | ≥ 5             |
|                             | RG28         | RS28  | RSS28  | RSS528  | 26-28    | 10      | 250     | 38*27*15            | 11.39            | M5    | ≥ 5             |
| 20*0.8/0.6                  | RG31         | RS31  | RSS31  | RSS531  | 29-31    | 10      | 200     | 38*27*17            | 12.10            | M6    | ≥ 10            |
|                             | RG35         | RS35  | RSS35  | RSS535  | 32-35    | 10      | 200     | 38*27*19            | 12.60            | M6    | ≥ 10            |
|                             | RG39         | RS39  | RSS39  | RSS539  | 36-39    | 10      | 200     | 38*27*21            | 13.14            | M6    | ≥ 10            |
|                             | RG41         | RS41  | RSS41  | RSS541  | 39-41    | 10      | 200     | 38*27*24            | 13.19            | M6    | ≥ 10            |
|                             | RG43         | RS43  | RSS43  | RSS543  | 40-43    | 10      | 200     | 38*27*24            | 17.71            | M6    | ≥ 10            |
| 22*1.2/0.8                  | RG47         | RS47  | RSS47  | RSS547  | 44-47    | 10      | 200     | 38*27*27            | 18.14            | M6    | ≥ 10            |
|                             | RG51         | RS51  | RSS51  | RSS551  | 48-51    | 10      | 200     | 38*27*27            | 18.83            | M6    | ≥ 10            |
|                             | RG55         | RS55  | RSS55  | RSS555  | 52-55    | 10      | 200     | 38*27*29            | 19.40            | M6    | ≥ 10            |
|                             | RG59         | RS59  | RSS59  | RSS559  | 56-59    | 10      | 100     | 38*27*17            | 10.01            | M6    | ≥ 10            |
|                             | RG63         | RS63  | RSS63  | RSS563  | 60-63    | 10      | 100     | 38*27*17            | 10.21            | M6    | ≥ 10            |
|                             | RG67         | RS67  | RSS67  | RSS567  | 64-67    | 10      | 100     | 38*27*27            | 16.32            | M8    | ≥ 20            |
| 24*1.5/0.8                  | RG73         | RS73  | RSS73  | RSS573  | 68-73    | 10      | 100     | 38*27*27            | 16.77            | M8    | ≥ 20            |
|                             | RG79         | RS79  | RSS79  | RSS579  | 74-79    | 10      | 100     | 38*27*34            | 17.10            | M8    | ≥ 20            |
|                             | RG85         | RS85  | RSS85  | RSS585  | 80-85    | 10      | 100     | 38*27*35            | 17.65            | M8    | ≥ 20            |
|                             | RG91         | RS91  | RSS91  | RSS591  | 86-91    | 10      | 100     | 38*27*36            | 18.25            | M8    | ≥ 20            |
|                             | RG97         | RS97  | RSS97  | RSS597  | 92-97    | 10      | 100     | 40*37*35            | 19.32            | M8    | ≥ 20            |
|                             | RG103        | RS103 | RSS103 | RSS5103 | 98-103   | 10      | 100     | 40*37*35            | 20.10            | M8    | ≥ 20            |
|                             | RG112        | RS112 | RSS112 | RSS5112 | 104-112  | 10      | 100     | 40*37*40            | 20.50            | M8    | ≥ 20            |
|                             | RG121        | RS121 | RSS121 | RSS5121 | 113-121  | 10      | 100     | 40*37*40            | 21.40            | M8    | ≥ 20            |
|                             | RG130        | RS130 | RSS130 | RSS5130 | 122-130  | 5       | 50      | 40*37*30            | 15.17            | M10   | ≥ 35            |
|                             | RG139        | RS139 | RSS139 | RSS5139 | 131-139  | 5       | 50      | 40*37*30            | 15.33            | M10   | ≥ 35            |
| 26*1.7/1.0                  | RG148        | RS148 | RSS148 | RSS5148 | 140-148  | 5       | 50      | 40*37*35            | 16.66            | M10   | ≥ 35            |
|                             | RG161        | RS161 | RSS161 | RSS5161 | 149-161  | 5       | 25      | 40*37*35            | 17.41            | M10   | ≥ 35            |
|                             | RG174        | RS174 | RSS174 | RSS5174 | 162-174  | 5       | 25      | 38*27*34            | 9.16             | M10   | ≥ 35            |
|                             | RG187        | RS187 | RSS187 | RSS5187 | 175-187  | 5       | 25      | 40*37*28            | 9.57             | M10   | ≥ 35            |
|                             | RG200        | RS200 | RSS200 | RSS5200 | 188-200  | 5       | 25      | 40*37*28            | 9.86             | M10   | ≥ 35            |
|                             | RG213        | RS213 | RSS213 | RSS5213 | 201-203  | 5       | 25      | 40*37*30            | 10.69            | M10   | ≥ 35            |
|                             | RG226        | RS226 | RSS226 | RSS5226 | 214-226  | 5       | 25      | 40*37*30            | 10.91            | M10   | ≥ 35            |
|                             | RG239        | RS239 | RSS239 | RSS5239 | 227-239  | 5       | 25      | 40*37*30            | 11.52            | M10   | ≥ 35            |
|                             | RG252        | RS252 | RSS252 | RSS5252 | 240-252  | 5       | 25      | 40*37*31            | 12.60            | M10   | ≥ 35            |



**单头空心强力卡箍**  
Hollow Heavy Duty Hose Clamp



- Note:**
- 1.HG:galvanized steel
  - 2.HS: band and tongue plate are stainless steel,others are galvanized steel
  - 3.HSS:stainless steel 200 or 300 series
  - 4.HSS5:stainless steel 316

Hollow Heavy Duty Hose Clamp

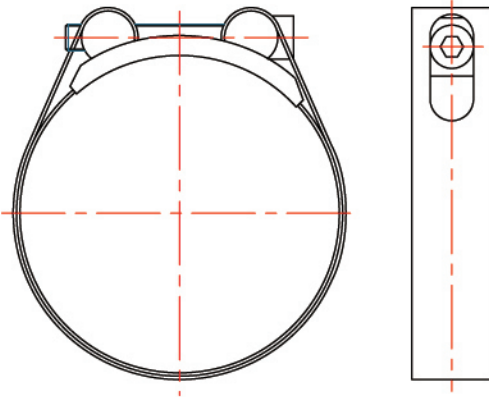
| Bandwidth*Thickness (mm) | Product Code |       |        |         | Size(mm) | Package |         | Carton Size (cm) | G. W./Ctn (kg) | Torque (N.m) |
|--------------------------|--------------|-------|--------|---------|----------|---------|---------|------------------|----------------|--------------|
|                          |              |       |        |         |          | pcs/bag | pcs/ctn |                  |                |              |
| 18*0.6/0.6               | HG19         | HS19  | HSS19  | HSS519  | 17-19    | 10      | 250     | 38*27*13         | 6.85           | ≥ 5          |
|                          | HG22         | HS22  | HSS22  | HSS522  | 20-22    | 10      | 250     | 38*27*13         | 7.03           | ≥ 5          |
|                          | HG25         | HS25  | HSS25  | HSS525  | 23-25    | 10      | 250     | 38*27*15         | 7.68           | ≥ 5          |
|                          | HG28         | HS28  | HSS28  | HSS528  | 26-28    | 10      | 250     | 38*27*15         | 7.83           | ≥ 5          |
| 20*0.8/0.6               | HG31         | HS31  | HSS31  | HSS531  | 29-31    | 10      | 200     | 38*27*17         | 9.08           | ≥ 15         |
|                          | HG35         | HS35  | HSS35  | HSS535  | 32-35    | 10      | 200     | 38*27*19         | 9.38           | ≥ 15         |
|                          | HG39         | HS39  | HSS39  | HSS539  | 36-39    | 10      | 200     | 38*27*21         | 9.42           | ≥ 15         |
|                          | HG43         | HS43  | HSS43  | HSS543  | 40-43    | 10      | 200     | 38*27*24         | 9.98           | ≥ 15         |
| 22*1.2/0.8               | HG47         | HS47  | HSS47  | HSS547  | 44-47    | 10      | 200     | 38*27*24         | 13.72          | ≥ 15         |
|                          | HG51         | HS51  | HSS51  | HSS551  | 48-51    | 10      | 200     | 38*27*27         | 14.46          | ≥ 15         |
|                          | HG55         | HS55  | HSS55  | HSS555  | 52-55    | 10      | 200     | 38*27*27         | 14.64          | ≥ 15         |
|                          | HG59         | HS59  | HSS59  | HSS559  | 56-59    | 10      | 200     | 38*27*29         | 15.14          | ≥ 15         |
|                          | HG63         | HS63  | HSS63  | HSS563  | 60-63    | 10      | 100     | 38*27*17         | 7.74           | ≥ 15         |
|                          | HG67         | HS67  | HSS67  | HSS567  | 64-67    | 10      | 100     | 38*27*17         | 8.10           | ≥ 15         |
| 24*1.5/0.8               | HG73         | HS73  | HSS73  | HSS573  | 68-73    | 10      | 100     | 38*27*27         | 13.93          | ≥ 25         |
|                          | HG79         | HS79  | HSS79  | HSS579  | 74-79    | 10      | 100     | 38*27*27         | 15.01          | ≥ 25         |
|                          | HG85         | HS85  | HSS85  | HSS85   | 80-85    | 10      | 100     | 38*27*34         | 14.43          | ≥ 25         |
|                          | HG91         | HS91  | HSS91  | HSS91   | 86-91    | 10      | 100     | 38*27*34         | 15.39          | ≥ 25         |
|                          | HG97         | HS97  | HSS97  | HSS597  | 92-97    | 10      | 100     | 38*27*34         | 15.69          | ≥ 25         |
|                          | HG103        | HS103 | HSS103 | HSS5103 | 98-103   | 10      | 100     | 40*37*35         | 16.63          | ≥ 25         |
|                          | HG112        | HS112 | HSS112 | HSS5112 | 104-112  | 10      | 100     | 40*37*35         | 16.72          | ≥ 25         |
|                          | HG121        | HS121 | HSS121 | HSS5121 | 113-121  | 10      | 100     | 40*37*40         | 17.76          | ≥ 25         |
| 26*1.7/1.0               | HG130        | HS130 | HSS130 | HSS5130 | 122-130  | 10      | 100     | 40*37*40         | 18.87          | ≥ 25         |
|                          | HG139        | HS139 | HSS139 | HSS5139 | 131-139  | 5       | 50      | 40*37*30         | 14.21          | ≥ 40         |
|                          | HG148        | HS148 | HSS148 | HSS5148 | 140-148  | 5       | 50      | 40*37*30         | 14.81          | ≥ 40         |
|                          | HG161        | HS161 | HSS161 | HSS5161 | 149-161  | 5       | 50      | 40*37*35         | 14.43          | ≥ 40         |
|                          | HG174        | HS174 | HSS174 | HSS5174 | 162-174  | 5       | 25      | 40*37*35         | 7.87           | ≥ 40         |
|                          | HG187        | HS187 | HSS187 | HSS5187 | 175-187  | 5       | 25      | 38*27*34         | 8.00           | ≥ 40         |
|                          | HG200        | HS200 | HSS200 | HSS5200 | 188-200  | 5       | 25      | 40*37*28         | 8.63           | ≥ 40         |
|                          | HG213        | HS213 | HSS213 | HSS5213 | 201-203  | 5       | 25      | 40*37*28         | 8.63           | ≥ 40         |
|                          | HG226        | HS226 | HSS226 | HSS5226 | 214-226  | 5       | 25      | 40*37*30         | 8.80           | ≥ 40         |
|                          | HG239        | HS239 | HSS239 | HSS5239 | 227-239  | 5       | 25      | 40*37*30         | 9.13           | ≥ 40         |
|                          | HG252        | HS252 | HSS252 | HSS5252 | 240-252  | 5       | 25      | 40*37*30         | 9.41           | ≥ 40         |



**Muller**

**单头双层强力卡箍**

Single Bolt Double Band  
Heavy Duty Hose Clamp



**Note:**

RDG:galvanized steel

Single Bolt Double Band Heavy Duty Hose Clamp

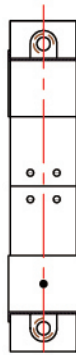
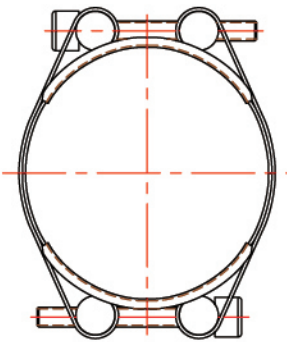
| Product Code | Size (mm) | Bandwidth*Thickness (mm) | Package |         | Carton Size (cm) | G.W./Ctn (kg) | Screw | Torque (N.m) |
|--------------|-----------|--------------------------|---------|---------|------------------|---------------|-------|--------------|
|              |           |                          | pcs/bag | pcs/ctn |                  |               |       |              |
| RDG40        | 35-40     | 20*1.0                   | 10      | 200     | 38*27*21         | 15.60         | M6    | ≥ 15         |
| RDG45        | 40-45     | 20*1.0                   | 10      | 200     | 38*27*24         | 16.10         | M6    | ≥ 15         |
| RDG50        | 34-50     | 20*1.0                   | 10      | 200     | 38*27*24         | 16.80         | M6    | ≥ 15         |
| RDG55        | 50-55     | 20*1.0                   | 10      | 200     | 38*27*29         | 17.20         | M6    | ≥ 15         |
| RDG60        | 55-60     | 20*1.0                   | 10      | 100     | 38*27*34         | 9.20          | M6    | ≥ 15         |
| RDG65        | 60-65     | 20*1.0                   | 10      | 100     | 38*27*17         | 9.90          | M8    | ≥ 25         |
| RDG70        | 65-70     | 20*1.0                   | 10      | 100     | 38*27*17         | 10.40         | M8    | ≥ 25         |
| RDG75        | 70-75     | 20*1.0                   | 10      | 100     | 38*27*19         | 10.90         | M8    | ≥ 25         |
| RDG80        | 75-80     | 20*1.0                   | 10      | 100     | 38*27*21         | 11.30         | M8    | ≥ 25         |
| RDG85        | 80-85     | 20*1.0                   | 10      | 100     | 38*27*21         | 11.8          | M8    | ≥ 25         |
| RDG90        | 85-90     | 20*1.0                   | 10      | 100     | 38*27*24         | 12.5          | M8    | ≥ 25         |
| RDG95        | 90-95     | 20*1.0                   | 10      | 100     | 38*27*24         | 13.1          | M8    | ≥ 25         |
| RDG100       | 95-100    | 20*1.0                   | 10      | 100     | 38*27*29         | 13.80         | M8    | ≥ 25         |
| RDG105       | 100-105   | 20*1.0                   | 10      | 100     | 38*27*21         | 14.30         | M8    | ≥ 25         |
| RDG110       | 105-110   | 20*1.0                   | 10      | 100     | 38*27*34         | 14.90         | M8    | ≥ 25         |
| RDG115       | 110-115   | 20*1.0                   | 10      | 100     | 40*37*40         | 15.50         | M8    | ≥ 25         |
| RDG120       | 115-120   | 20*1.0                   | 10      | 100     | 40*37*40         | 16.20         | M8    | ≥ 25         |
| RDG125       | 120-125   | 20*1.0                   | 5       | 50      | 38*27*24         | 8.90          | M10   | ≥ 40         |
| RDG130       | 125-130   | 20*1.0                   | 5       | 50      | 38*27*29         | 9.50          | M10   | ≥ 40         |
| RDG135       | 130-135   | 20*1.0                   | 5       | 50      | 38*27*29         | 10.10         | M10   | ≥ 40         |
| RDG140       | 135-140   | 20*1.0                   | 5       | 50      | 38*27*34         | 10.80         | M10   | ≥ 40         |
| RDG145       | 140-145   | 20*1.0                   | 5       | 50      | 38*27*34         | 12.40         | M10   | ≥ 40         |
| RDG150       | 145-150   | 20*1.0                   | 5       | 50      | 40*37*30         | 13.00         | M10   | ≥ 40         |
| RDG155       | 150-155   | 20*1.0                   | 5       | 50      | 40*37*30         | 13.60         | M10   | ≥ 40         |
| RDG160       | 155-160   | 20*1.0                   | 5       | 50      | 40*37*35         | 14.20         | M10   | ≥ 40         |





**Muller**

**双头双层强力卡箍**  
Double Bolt Double Band  
Hose Clamp



**Note:**

- 1.DDG:galvanized steel
- 2.DDSS:stainless steel 200 or 300 series
- 3.DDSS5:stainless steel 316

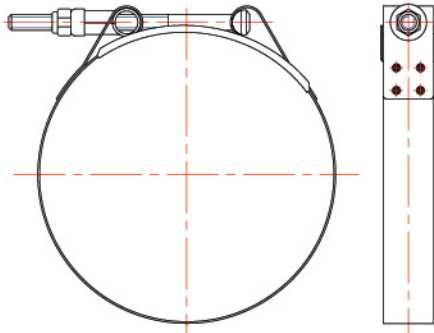
Double Bolt Double Band Hose Clamp

| Product Code |         |          | Size(mm) | Bandwidth*Thickness (mm) | Package (pcs/ctn) | Carton Size (cm) | G.W./Ctn (kg) | Screw | Torque (N.m) |
|--------------|---------|----------|----------|--------------------------|-------------------|------------------|---------------|-------|--------------|
| DDG40        | DDSS40  | DDSS540  | 30-40    | 20*1.0                   | 100               | 31*17*24         | 19.00         | M6    | ≥ 10         |
| DDG45        | DDSS45  | DDSS545  | 35-45    | 20*1.0                   | 100               | 31*17*24         | 20.00         | M6    | ≥ 10         |
| DDG50        | DDSS50  | DDSS550  | 40-50    | 20*1.0                   | 100               | 31*17*24         | 21.00         | M6    | ≥ 10         |
| DDG55        | DDSS55  | DDSS555  | 45-55    | 20*1.0                   | 100               | 31*17*24         | 22.00         | M6    | ≥ 10         |
| DDG60        | DDSS60  | DDSS560  | 50-60    | 20*1.0                   | 100               | 37*19*24         | 23.00         | M6    | ≥ 10         |
| DDG65        | DDSS65  | DDSS565  | 55-65    | 20*1.0                   | 100               | 37*19*24         | 24.00         | M6    | ≥ 10         |
| DDG70        | DDSS70  | DDSS570  | 60-70    | 20*1.0                   | 100               | 37*20*24         | 25.00         | M6    | ≥ 10         |
| DDG75        | DDSS75  | DDSS575  | 65-75    | 20*1.0                   | 100               | 42*23*28         | 26.00         | M6    | ≥ 10         |
| DDG80        | DDSS80  | DDSS580  | 70-80    | 20*1.0                   | 100               | 44*24*28         | 27.00         | M6    | ≥ 10         |
| DDG85        | DDSS85  | DDSS585  | 75-85    | 20*1.0                   | 100               | 47*25*28         | 28.00         | M6    | ≥ 10         |
| DDG90        | DDSS90  | DDSS590  | 80-90    | 20*1.0                   | 100               | 49*26*28         | 29.00         | M6    | ≥ 10         |
| DDG95        | DDSS95  | DDSS595  | 85-95    | 20*1.0                   | 100               | 51*27*28         | 30.00         | M6    | ≥ 10         |
| DDG100       | DDSS100 | DDSS5100 | 90-100   | 24*1.0                   | 50                | 33*26*28         | 15.50         | M8    | ≥ 20         |
| DDG110       | DDSS110 | DDSS5110 | 100-110  | 24*1.0                   | 50                | 37*28*28         | 16.50         | M8    | ≥ 20         |
| DDG120       | DDSS120 | DDSS5120 | 110-120  | 24*1.0                   | 50                | 37*28*28         | 17.00         | M8    | ≥ 20         |
| DDG130       | DDSS130 | DDSS5130 | 120-130  | 24*1.0                   | 50                | 41*31*28         | 17.50         | M8    | ≥ 20         |
| DDG140       | DDSS140 | DDSS5140 | 130-140  | 24*1.0                   | 50                | 43*34*28         | 18.50         | M8    | ≥ 20         |
| DDG150       | DDSS150 | DDSS5150 | 140-150  | 24*1.0                   | 50                | 47*37*28         | 19.50         | M8    | ≥ 20         |
| DDG160       | DDSS160 | DDSS5160 | 150-160  | 24*1.0                   | 50                | 49*37*28         | 20.50         | M8    | ≥ 20         |
| DDG170       | DDSS170 | DDSS5170 | 160-170  | 24*1.0                   | 50                | 51*39*28         | 21.50         | M8    | ≥ 20         |
| DDG180       | DDSS180 | DDSS5180 | 170-180  | 24*1.0                   | 50                | 53*29*28         | 22.50         | M8    | ≥ 20         |
| DDG190       | DDSS190 | DDSS5190 | 180-190  | 24*1.0                   | 25                | 41*29*34         | 12.00         | M8    | ≥ 20         |
| DDG200       | DDSS200 | DDSS5200 | 190-200  | 24*1.0                   | 25                | 41*29*34         | 12.50         | M8    | ≥ 20         |
| DDG210       | DDSS210 | DDSS5210 | 200-210  | 24*1.0                   | 25                | 41*29*34         | 13.00         | M8    | ≥ 20         |
| DDG220       | DDSS220 | DDSS5220 | 210-220  | 24*1.0                   | 25                | 44*30*34         | 13.50         | M8    | ≥ 20         |
| DDG230       | DDSS230 | DDSS5230 | 220-230  | 24*1.0                   | 25                | 45*32*34         | 14.00         | M8    | ≥ 20         |
| DDG240       | DDSS240 | DDSS5240 | 230-240  | 24*1.0                   | 25                | 48*32*34         | 14.50         | M8    | ≥ 20         |
| DDG250       | DDSS250 | DDSS5250 | 240-250  | 24*1.0                   | 25                | 50*34*34         | 15.00         | M8    | ≥ 20         |
| DDG260       | DDSS260 | DDSS5260 | 250-260  | 24*1.0                   | 25                | 52*36*34         | 16.00         | M8    | ≥ 20         |
| DDG270       | DDSS270 | DDSS5270 | 260-270  | 24*1.0                   | 25                | 52*38*34         | 17.00         | M8    | ≥ 20         |
| DDG280       | DDSS280 | DDSS5280 | 270-280  | 24*1.0                   | 25                | 52*38*34         | 18.50         | M8    | ≥ 20         |
| DDG300       | DDSS300 | DDSS5300 | 290-300  | 24*1.0                   | 25                | 52*38*34         | 20.00         | M8    | ≥ 20         |



## T 型强力卡箍

T Type Hose Clamp



**Note:**

- 1.TS:band and tongue plate are stainless steel , others are galvanized steel
- 2.TSS:stainless steel 200 or 300 series
- 3.TSS5:stainless steel 316

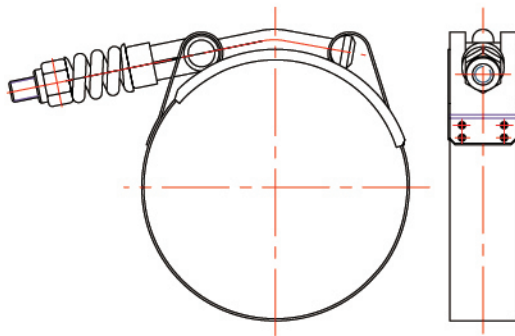
T Type Hose Clamp

| Product Code | Size (mm) | Bandwidth*Thickness (mm) | Package |         | Carton Size (cm) | G.W./Ctn (kg) | Torque (N.m) |       |      |
|--------------|-----------|--------------------------|---------|---------|------------------|---------------|--------------|-------|------|
|              |           |                          | pcs/bag | pcs/ctn |                  |               |              |       |      |
| TS40         | TSS40     | TSS540                   | 35-40   | 19*0.6  | 20               | 300           | 38*27*21     | 15.50 | ≥ 10 |
| TS43         | TSS43     | TSS543                   | 38-43   | 19*0.6  | 20               | 300           | 38*27*21     | 16.00 | ≥ 10 |
| TS46         | TSS46     | TSS546                   | 41-46   | 19*0.6  | 20               | 300           | 38*27*24     | 16.80 | ≥ 10 |
| TSS1         | TSS51     | TSS551                   | 44-51   | 19*0.6  | 20               | 300           | 38*27*24     | 17.40 | ≥ 10 |
| TS56         | TSS56     | TSS556                   | 48-56   | 19*0.6  | 20               | 300           | 38*27*29     | 18.10 | ≥ 10 |
| TSS9         | TSS59     | TSS559                   | 51-59   | 19*0.6  | 20               | 300           | 38*27*29     | 18.70 | ≥ 10 |
| TS62         | TSS62     | TSS562                   | 54-62   | 19*0.6  | 10               | 250           | 36*36*30     | 16.10 | ≥ 10 |
| TS65         | TSS65     | TSS565                   | 57-65   | 19*0.6  | 10               | 250           | 38*27*34     | 16.50 | ≥ 10 |
| TS68         | TSS68     | TSS568                   | 60-68   | 19*0.6  | 10               | 250           | 40*37*28     | 16.90 | ≥ 10 |
| TS71         | TSS71     | TSS571                   | 63-71   | 19*0.6  | 10               | 250           | 40*37*28     | 17.30 | ≥ 10 |
| TS75         | TSS75     | TSS575                   | 67-75   | 19*0.6  | 10               | 250           | 40*36*30     | 17.80 | ≥ 10 |
| TS78         | TSS78     | TSS578                   | 70-78   | 19*0.6  | 10               | 250           | 40*36*30     | 18.20 | ≥ 10 |
| TS81         | TSS81     | TSS581                   | 73-81   | 19*0.6  | 10               | 250           | 40*37*35     | 18.60 | ≥ 10 |
| TS84         | TSS84     | TSS584                   | 76-84   | 19*0.6  | 10               | 250           | 40*37*35     | 19.00 | ≥ 10 |
| TS87         | TSS87     | TSS587                   | 79-87   | 19*0.6  | 10               | 250           | 40*37*35     | 19.10 | ≥ 10 |
| TS91         | TSS91     | TSS591                   | 83-91   | 19*0.6  | 10               | 250           | 40*37*35     | 19.20 | ≥ 10 |
| TS94         | TSS94     | TSS594                   | 86-94   | 19*0.6  | 10               | 250           | 40*37*35     | 20.00 | ≥ 10 |
| TS97         | TSS97     | TSS597                   | 89-97   | 19*0.6  | 10               | 250           | 40*37*40     | 20.60 | ≥ 10 |
| TS100        | TSS100    | TSS5100                  | 92-100  | 19*0.6  | 10               | 250           | 40*37*40     | 21.20 | ≥ 10 |
| TS103        | TSS103    | TSS5103                  | 95-103  | 19*0.6  | 10               | 250           | 48*40*35     | 21.50 | ≥ 10 |
| TS110        | TSS110    | TSS5110                  | 102-110 | 19*0.6  | 10               | 250           | 48*40*35     | 21.90 | ≥ 10 |
| TS116        | TSS116    | TSS5116                  | 108-116 | 19*0.6  | 10               | 100           | 38*27*17     | 11.60 | ≥ 10 |
| TS122        | TSS122    | TSS5122                  | 114-122 | 19*0.6  | 10               | 100           | 38*27*19     | 12.20 | ≥ 10 |
| TS129        | TSS129    | TSS5129                  | 121-129 | 19*0.6  | 10               | 100           | 38*27*21     | 12.90 | ≥ 10 |
| TS135        | TSS135    | TSS5135                  | 127-135 | 19*0.6  | 10               | 100           | 38*27*24     | 13.60 | ≥ 10 |
| TS141        | TSS141    | TSS5141                  | 133-141 | 19*0.6  | 10               | 100           | 38*27*29     | 14.20 | ≥ 10 |
| TS148        | TSS148    | TSS5148                  | 140-148 | 19*0.6  | 10               | 100           | 38*27*34     | 14.90 | ≥ 10 |
| TS154        | TSS154    | TSS5154                  | 146-154 | 19*0.6  | 10               | 100           | 38*27*34     | 15.50 | ≥ 10 |
| TS160        | TSS160    | TSS5160                  | 152-160 | 19*0.6  | 5                | 100           | 40*37*28     | 16.10 | ≥ 10 |
| TS167        | TSS167    | TSS5167                  | 159-167 | 19*0.6  | 5                | 100           | 40*36*30     | 16.80 | ≥ 10 |
| TS173        | TSS173    | TSS5173                  | 165-173 | 19*0.6  | 5                | 100           | 40*37*35     | 17.40 | ≥ 10 |
| TS180        | TSS180    | TSS5180                  | 172-180 | 19*0.6  | 5                | 50            | 38*27*17     | 9.20  | ≥ 10 |
| TS186        | TSS186    | TSS5186                  | 178-186 | 19*0.6  | 5                | 50            | 38*27*19     | 9.80  | ≥ 10 |
| TS192        | TSS192    | TSS5192                  | 184-192 | 19*0.6  | 5                | 50            | 38*27*21     | 10.40 | ≥ 10 |
| TS198        | TSS198    | TSS5198                  | 190-198 | 19*0.6  | 5                | 50            | 38*27*24     | 10.90 | ≥ 10 |



## T 型弹簧卡箍

T Type Spring Hose Clamp



**Note:**

- 1.STS:band and tongue plate are stainless steel ,others are galvanized steel
- 2.STSS:stainless steel 200 or 300 series
- 3.STSS5:stainless steel 316

T Type Spring Hose Clamp

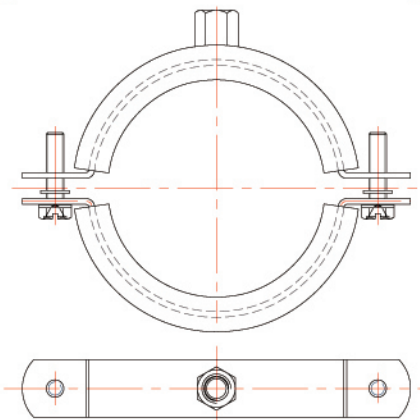
| Product Code |         |          | Size (mm) | Bandwidth*Thickness (mm) | Package (pcs/ctn) | Carton Size (cm) | G.W./Ctn (kg) | Torque (N.m) |
|--------------|---------|----------|-----------|--------------------------|-------------------|------------------|---------------|--------------|
| STS60        | STSS60  | STSS560  | 55-60     | 19*0.6                   | 250               | 36*36*30         | 16.10         | ≥ 15         |
| STS70        | STSS70  | STSS570  | 63-70     | 19*0.6                   | 250               | 40*37*28         | 17.30         | ≥ 15         |
| STS71        | STSS71  | STSS571  | 64-71     | 19*0.6                   | 250               | 40*37*29         | 17.50         | ≥ 15         |
| STS75        | STSS75  | STSS575  | 67-75     | 19*0.6                   | 250               | 40*36*30         | 17.80         | ≥ 15         |
| STS78        | STSS78  | STSS578  | 70-78     | 19*0.6                   | 250               | 40*36*30         | 18.20         | ≥ 15         |
| STS80        | STSS80  | STSS580  | 72-80     | 19*0.6                   | 250               | 40*37*35         | 18.60         | ≥ 15         |
| STS81        | STSS81  | STSS581  | 73-81     | 19*0.6                   | 250               | 40*37*35         | 18.80         | ≥ 15         |
| STS84        | STSS84  | STSS584  | 76-84     | 19*0.6                   | 250               | 40*37*35         | 19.00         | ≥ 15         |
| STS85        | STSS85  | STSS585  | 77-85     | 19*0.6                   | 250               | 40*37*35         | 19.10         | ≥ 15         |
| STS87        | STSS87  | STSS587  | 79-87     | 19*0.6                   | 250               | 40*37*35         | 19.20         | ≥ 15         |
| STS90        | STSS90  | STSS590  | 83-90     | 19*0.6                   | 250               | 40*37*35         | 19.50         | ≥ 15         |
| STS94        | STSS94  | STSS594  | 86-94     | 19*0.6                   | 250               | 40*37*35         | 20.00         | ≥ 15         |
| STS95        | STSS95  | STSS595  | 87-95     | 19*0.6                   | 250               | 40*37*35         | 20.30         | ≥ 15         |
| STS97        | STSS97  | STSS597  | 89-97     | 19*0.6                   | 250               | 40*37*40         | 20.60         | ≥ 15         |
| STS100       | STSS100 | STSS5100 | 92-100    | 19*0.6                   | 250               | 40*37*40         | 21.20         | ≥ 15         |
| STS103       | STSS103 | STSS5103 | 95-103    | 19*0.6                   | 250               | 48*40*35         | 21.50         | ≥ 15         |
| STS106       | STSS106 | STSS5106 | 99-106    | 19*0.6                   | 250               | 48*40*35         | 21.80         | ≥ 15         |
| STS109       | STSS109 | STSS5109 | 102-109   | 19*0.6                   | 250               | 48*40*35         | 21.90         | ≥ 15         |
| STS110       | STSS110 | STSS5110 | 103-110   | 19*0.6                   | 250               | 48*40*35         | 22.00         | ≥ 15         |
| STS113       | STSS113 | STSS5113 | 105-113   | 19*0.6                   | 100               | 38*27*17         | 11.60         | ≥ 15         |
| STS115       | STSS115 | STSS5115 | 107-115   | 19*0.6                   | 100               | 38*27*17         | 11.75         | ≥ 15         |
| STS116       | STSS116 | STSS5116 | 108-116   | 19*0.6                   | 100               | 38*27*17         | 12.00         | ≥ 15         |
| STS119       | STSS119 | STSS5119 | 111-119   | 19*0.6                   | 100               | 38*27*19         | 12.20         | ≥ 15         |
| STS120       | STSS120 | STSS5120 | 112-120   | 19*0.6                   | 100               | 38*27*19         | 12.50         | ≥ 15         |
| STS122       | STSS122 | STSS5122 | 114-122   | 19*0.6                   | 100               | 38*27*19         | 12.80         | ≥ 15         |
| STS138       | STSS138 | STSS5138 | 130-138   | 19*0.6                   | 100               | 38*27*29         | 14.20         | ≥ 15         |
| STS140       | STSS140 | STSS5140 | 132-140   | 19*0.6                   | 100               | 38*27*29         | 14.50         | ≥ 15         |
| STS146       | STSS146 | STSS5146 | 138-146   | 19*0.6                   | 100               | 38*27*34         | 14.90         | ≥ 15         |
| STS148       | STSS148 | STSS5148 | 140-148   | 19*0.6                   | 100               | 38*27*34         | 15.10         | ≥ 15         |
| STS160       | STSS160 | STSS5160 | 152-160   | 19*0.6                   | 100               | 40*37*28         | 16.10         | ≥ 15         |
| STS164       | STSS164 | STSS5164 | 155-164   | 19*0.6                   | 100               | 40*36*30         | 16.80         | ≥ 15         |
| STS190       | STSS190 | STSS5190 | 182-190   | 19*0.6                   | 50                | 38*27*21         | 9.70          | ≥ 15         |
| STS195       | STSS195 | STSS5195 | 187-195   | 19*0.6                   | 50                | 38*27*21         | 10.40         | ≥ 15         |



**Muller**

**吊管卡箍**

Heavy Dury Pipe Clamp With Rubber



**Note:**

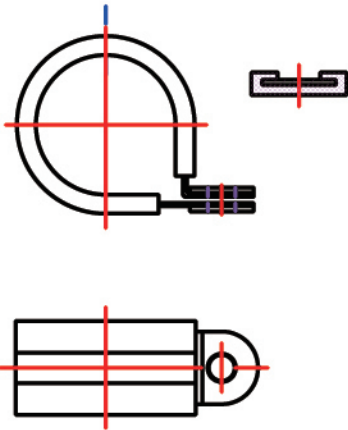
- 1.HDG:galvanized steel
- 2.HDSS:stainless steel 200 or 300 series
- 3.HDSS5:stainless steel 316

Heavy Dury Pipe Clamp With Rubber

| Product Code |         |          | Size(mm) | Pipe Size(mm) | Inch Size | Bandwidth*Thickness (mm) | Package (pcs/ctn) | Carton Size (cm) | G.W./Ctn (kg) |
|--------------|---------|----------|----------|---------------|-----------|--------------------------|-------------------|------------------|---------------|
| HDG19        | HDSS19  | HDSS519  | 15-19    | 18            | 3/8"      | 20*2.0                   | 200               | 38*27*13         | 17.00         |
| HDG25        | HDSS25  | HDSS525  | 20-25    | 22            | 1/2"      | 20*2.0                   | 200               | 38*27*19         | 18.00         |
| HDG30        | HDSS30  | HDSS530  | 26-30    | 28            | 3/4"      | 20*2.0                   | 200               | 38*27*21         | 19.00         |
| HDG36        | HDSS36  | HDSS536  | 32-36    | 35            | 1"        | 20*2.0                   | 200               | 38*27*24         | 21.00         |
| HDG43        | HDSS43  | HDSS543  | 38-43    | 40            | 1-1/4"    | 20*2.0                   | 100               | 38*27*13         | 12.00         |
| HDG51        | HDSS51  | HDSS551  | 47-51    | 48            | 1-1/2"    | 20*2.0                   | 100               | 38*27*19         | 13.50         |
| HDG58        | HDSS58  | HDSS558  | 53-58    | 54            |           | 20*2.0                   | 100               | 38*27*19         | 14.50         |
| HDG64        | HDSS64  | HDSS564  | 60-64    | 60            | 2"        | 20*2.0                   | 100               | 38*27*21         | 15.00         |
| HDG72        | HDSS72  | HDSS572  | 68-72    | 70            |           | 20*2.0                   | 100               | 38*27*24         | 16.00         |
| HDG80        | HDSS80  | HDSS580  | 75-80    | 75            | 2-1/2"    | 20*2.0                   | 100               | 38*27*29         | 17.00         |
| HDG86        | HDSS86  | HDSS586  | 71-86    | 83            |           | 20*2.0                   | 100               | 38*27*34         | 18.00         |
| HDG92        | HDSS92  | HDSS592  | 87-92    | 90            | 3"        | 20*2.0                   | 100               | 40*37*28         | 19.00         |
| HDG105       | HDSS105 | HDSS5105 | 99-105   | 100           | 3-1/2"    | 20*2.0                   | 50                | 38*27*29         | 10.00         |
| HDG112       | HDSS112 | HDSS5112 | 107-112  | 110           |           | 20*2.0                   | 50                | 38*27*29         | 10.50         |
| HDG118       | HDSS118 | HDSS5118 | 113-118  | 115           | 4"        | 20*2.0                   | 50                | 38*27*34         | 11.00         |
| HDG130       | HDSS130 | HDSS5130 | 125-130  | 125           |           | 20*2.0                   | 50                | 40*37*28         | 11.50         |
| HDG137       | HDSS137 | HDSS5137 | 132-137  | 133           |           | 20*2.0                   | 50                | 38*27*34         | 11.60         |
| HDG142       | HDSS142 | HDSS5142 | 138-142  | 140           | 5"        | 20*2.0                   | 50                | 38*27*34         | 11.80         |
| HDG152       | HDSS152 | HDSS5152 | 148-152  | 150           |           | 20*2.0                   | 50                | 40*37*28         | 12.10         |
| HDG166       | HDSS166 | HDSS5166 | 159-166  | 160           | 6"        | 20*2.0                   | 50                | 40*37*28         | 12.50         |
| HDG212       | HDSS212 | HDSS5212 | 200-212  | 200           |           | 20*2.0                   | 25                | 40*37*30         | 9.00          |
| HDG220       | HDSS220 | HDSS5220 | 215-220  | 220           | 8"        | 20*2.0                   | 25                | 40*37*30         | 9.50          |
| HDG252       | HDSS252 | HDSS5252 | 248-252  | 250           |           | 20*2.0                   | 25                | 40*37*35         | 12.00         |



**连胶条卡箍**  
P Type Rubber Clamp



**Note:**  
1.ELG:galvanized steel  
2.ELSS:stainless steel 200 or 300 series  
3.ELSS5:stainless steel 316

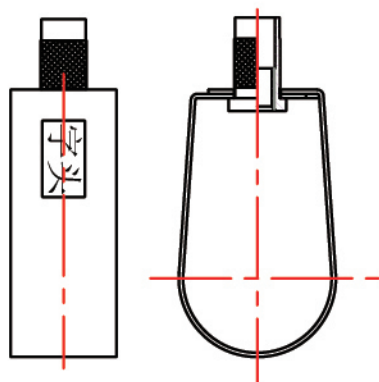
P Type Rubber Clamp

| Product Code |        |         | Size(mm) | Bandwidth*Thickness (mm) |        |        | Package |         | Carton Size (cm) | G.W./Ctn (kg) |
|--------------|--------|---------|----------|--------------------------|--------|--------|---------|---------|------------------|---------------|
|              |        |         |          |                          |        |        | pcs/bag | pcs/ctn |                  |               |
| ELG4         | ELSS4  | ELSS54  | Ø4       | 12*0.5                   | 15*0.6 | 20*0.8 | 100     | 2000    | 38*27*13         | 12.15         |
| ELG5         | ELSS5  | ELSS55  | Ø5       | 12*0.5                   | 15*0.6 | 20*0.8 | 100     | 2000    | 38*27*13         | 13.60         |
| ELG6         | ELSS6  | ELSS56  | Ø6       | 12*0.5                   | 15*0.6 | 20*0.8 | 100     | 2000    | 38*27*15         | 14.80         |
| ELG8         | ELSS8  | ELSS58  | Ø8       | 12*0.5                   | 15*0.6 | 20*0.8 | 100     | 2000    | 38*27*15         | 15.50         |
| ELG10        | ELSS10 | ELSS510 | Ø10      | 12*0.5                   | 15*0.6 | 20*0.8 | 50      | 2000    | 38*27*17         | 16.40         |
| ELG12        | ELSS12 | ELSS512 | Ø12      | 12*0.5                   | 15*0.6 | 20*0.8 | 50      | 2000    | 38*27*19         | 17.20         |
| ELG14        | ELSS14 | ELSS514 | Ø14      | 12*0.5                   | 15*0.6 | 20*0.8 | 50      | 2000    | 38*27*21         | 18.00         |
| ELG16        | ELSS16 | ELSS516 | Ø16      | 12*0.5                   | 15*0.6 | 20*0.8 | 50      | 2000    | 38*27*24         | 18.80         |
| ELG18        | ELSS18 | ELSS518 | Ø18      | 12*0.5                   | 15*0.6 | 20*0.8 | 50      | 1000    | 38*27*15         | 9.80          |
| ELG20        | ELSS20 | ELSS520 | Ø20      | 12*0.5                   | 15*0.6 | 20*0.8 | 50      | 1000    | 38*27*17         | 10.90         |
| ELG22        | ELSS22 | ELSS522 | Ø22      | 12*0.5                   | 15*0.6 | 20*0.8 | 25      | 1000    | 38*27*17         | 11.70         |
| ELG24        | ELSS24 | ELSS524 | Ø24      | 12*0.5                   | 15*0.6 | 20*0.8 | 25      | 1000    | 38*27*19         | 12.60         |
| ELG26        | ELSS26 | ELSS526 | Ø26      | 12*0.5                   | 15*0.6 | 20*0.8 | 25      | 1000    | 38*27*21         | 13.40         |
| ELG28        | ELSS28 | ELSS528 | Ø28      | 12*0.5                   | 15*0.6 | 20*0.8 | 25      | 1000    | 38*27*24         | 14.00         |
| ELG30        | ELSS30 | ELSS530 | Ø30      | 12*0.5                   | 15*0.6 | 20*0.8 | 25      | 1000    | 38*27*29         | 14.40         |
| ELG32        | ELSS32 | ELSS532 | Ø32      | 12*0.5                   | 15*0.6 | 20*0.8 | 25      | 1000    | 38*27*29         | 15.40         |
| ELG34        | ELSS34 | ELSS534 | Ø34      | 12*0.5                   | 15*0.6 | 20*0.8 | 25      | 1000    | 38*27*34         | 16.30         |
| ELG36        | ELSS36 | ELSS536 | Ø36      | 12*0.5                   | 15*0.6 | 20*0.8 | 25      | 1000    | 38*27*34         | 17.20         |
| ELG38        | ELSS38 | ELSS538 | Ø38      | 12*0.5                   | 15*0.6 | 20*0.8 | 25      | 500     | 38*27*19         | 9.50          |
| ELG40        | ELSS40 | ELSS540 | Ø40      | 12*0.5                   | 15*0.6 | 20*0.8 | 25      | 500     | 38*27*21         | 10.40         |
| ELG42        | ELSS42 | ELSS542 | Ø42      | 12*0.5                   | 15*0.6 | 20*0.8 | 20      | 500     | 38*27*24         | 11.20         |
| ELG44        | ELSS44 | ELSS544 | Ø44      | 12*0.5                   | 15*0.6 | 20*0.8 | 20      | 500     | 38*27*29         | 12.10         |
| ELG46        | ELSS46 | ELSS546 | Ø46      | 12*0.5                   | 15*0.6 | 20*0.8 | 20      | 500     | 38*27*29         | 13.00         |
| ELG48        | ELSS48 | ELSS548 | Ø48      | 12*0.5                   | 15*0.6 | 20*0.8 | 20      | 500     | 38*27*34         | 13.80         |
| ELG50        | ELSS50 | ELSS550 | Ø50      | 12*0.5                   | 15*0.6 | 20*0.8 | 20      | 500     | 38*27*34         | 14.50         |



## 梨形吊卡

Pear Shaped Hinged Pipe Clamp



### Note:

- 1.PHG:galvanized steel
- 2.PHSS:stainless steel 200 or 300 series
- 3.PHSS5:stainless steel 316

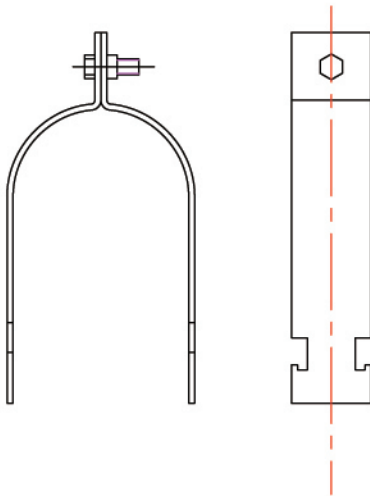
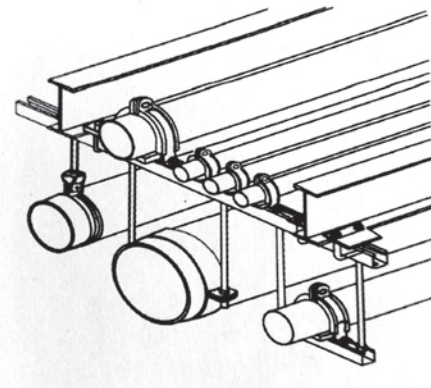
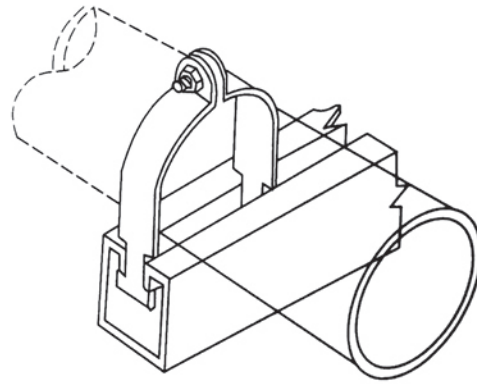
### Pear Shaped Hinged Pipe Clamp

| Product Code |         |          | Size (mm) | Inch Size | Bandwidth*Thickness (mm) | Package (pcs/ctn) | Carton Size (cm) | G.W./Ctn (kg) |
|--------------|---------|----------|-----------|-----------|--------------------------|-------------------|------------------|---------------|
| PHG15        | PHSS15  | PHSS515  | 11-15     | 1/4"      | 25*1.2                   | 300               | 42*27*13         | 15.50         |
| PHG20        | PHSS20  | PHSS520  | 16-20     | 3/8"      | 25*1.2                   | 300               | 42*27*13         | 16.80         |
| PHG24        | PHSS24  | PHSS524  | 20-24     | 1/2"      | 25*1.2                   | 250               | 42*27*13         | 15.00         |
| PHG30        | PHSS30  | PHSS530  | 25-30     | 3/4"      | 25*1.2                   | 200               | 42*27*13         | 13.40         |
| PHG38        | PHSS38  | PHSS538  | 32-38     | 1"        | 25*1.2                   | 150               | 42*27*13         | 11.20         |
| PHG46        | PHSS46  | PHSS546  | 39-46     | 1-1/4"    | 25*1.2                   | 125               | 42*27*13         | 10.00         |
| PHG53        | PHSS53  | PHSS553  | 48-53     | 1-1/2"    | 25*1.2                   | 200               | 42*27*25         | 17.40         |
| PHG58        | PHSS58  | PHSS558  | 54-58     |           | 25*1.2                   | 150               | 42*27*25         | 14.60         |
| PHG66        | PHSS66  | PHSS566  | 59-66     | 2"        | 25*1.2                   | 150               | 42*27*25         | 15.80         |
| PHG80        | PHSS80  | PHSS580  | 74-80     | 2-1/2"    | 30*1.5                   | 100               | 42*27*25         | 19.20         |
| PHG94        | PHSS94  | PHSS594  | 87-94     | 3"        | 30*1.5                   | 80                | 42*27*25         | 17.20         |
| PHG108       | PHSS108 | PHSS5108 | 99-108    |           | 30*1.5                   | 70                | 42*27*25         | 16.40         |
| PHG116       | PHSS116 | PHSS5116 | 110-116   | 4"        | 30*1.5                   | 50                | 42*27*25         | 14.80         |
| PHG129       | PHSS129 | PHSS5129 | 120-129   |           | 30*1.5                   | 50                | 42*27*25         | 15.90         |
| PHG135       | PHSS135 | PHSS5135 | 129-135   |           | 30*1.5                   | 45                | 42*27*25         | 14.00         |
| PHG143       | PHSS143 | PHSS5143 | 135-143   | 5"        | 30*1.5                   | 30                | 42*27*25         | 10.00         |
| PHG161       | PHSS161 | PHSS5161 | 149-161   |           | 30*1.5                   | 30                | 42*27*25         | 11.90         |
| PHG170       | PHSS170 | PHSS5170 | 162-170   | 6"        | 30*1.5                   | 25                | 42*27*25         | 10.10         |
| PHG219       | PHSS219 | PHSS5219 | 207-219   | 8"        | 30*1.5                   | 25                | 42*27*25         | 12.80         |



## P 型卡箍

Heavy Struct Channel Clamp



### Note:

- 1.HSG:galvanized steel
- 2.HSS:stainless steel 200 or 300 series
- 3.HSS5:stainless steel 316

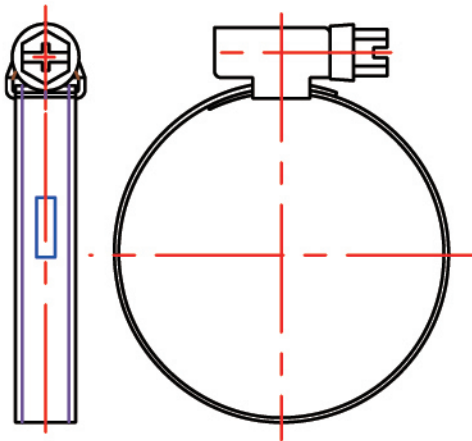
### Heavy Struct Channel Clamp

| Product Code |          |           | Size<br>(Inch) | Bandwidth*Thickness<br>(mm) | Package<br>(pcs/ctn) | Carton Size<br>(cm) | G.W./Ctn<br>(kg) |
|--------------|----------|-----------|----------------|-----------------------------|----------------------|---------------------|------------------|
| HSG1/2       | HSS1/2   | HSS51/2   | 1/2"           | 32*1.7                      | 200                  | 38*27*11            | 12.6             |
| HSG3/4       | HSS3/4   | HSS53/4   | 3/4"           | 32*1.7                      | 200                  | 32*27*13            | 13.2             |
| HSG1         | HSS1     | HSS51     | 1"             | 32*1.7                      | 200                  | 38*27*15            | 14.9             |
| HSG1-1/4     | HSS1-1/4 | HSS51-1/4 | 1-1/4"         | 32*2.0                      | 200                  | 38*27*15            | 16.3             |
| HSG1-1/2     | HSS1-1/2 | HSS51-1/2 | 1-1/2"         | 32*2.0                      | 200                  | 38*27*15            | 18.2             |
| HSG2         | HSS2     | HSS52     | 2"             | 32*2.0                      | 100                  | 32*27*15            | 14.3             |
| HSG2-1/2     | HSS2-1/2 | HSS52-1/2 | 2-1/2"         | 32*2.0                      | 100                  | 38*27*17            | 16.5             |
| HSG3         | HSS3     | HSS53     | 3"             | 32*2.5                      | 100                  | 38*27*17            | 18.3             |
| HSG4         | HSS4     | HSS54     | 4"             | 32*2.5                      | 50                   | 32*27*13            | 12.85            |
| HSG5         | HSS5     | HSS55     | 5"             | 32*2.5                      | 50                   | 38*27*13            | 15.9             |
| HSG6         | HSS6     | HSS56     | 6"             | 32*2.5                      | 50                   | 38*27*15            | 18.6             |



## 德式中间式喉箍

Germany Type Hose Clamp-  
DIN3017



### Note:

- 1.GMG:galvanized steel
- 2.GMS:band and housing are stainless steel, screw is galvanized steel
- 3.GMSS:stainless steel 200 or 300 series
- 4.GMSS5:stainless steel 316

Germany Type Hose Clamp-DIN3017

| Product Code |        |         |          | Size(mm) | Bandwidth*Thickness<br>(mm) | Package |         | Carton Size<br>(cm) | G.W./Ctn<br>(kg) | Torque<br>(N.m) |
|--------------|--------|---------|----------|----------|-----------------------------|---------|---------|---------------------|------------------|-----------------|
|              |        |         |          |          |                             | pcs/bag | pcs/ctn |                     |                  |                 |
| GMG12        | GMS12  | GMSS12  | GMSS512  | 8-12     | 9/12*0.6                    | 100     | 1000    | 32*27*14            | 11.00            | ≥ 4.5           |
| GMG16        | GMS16  | GMSS16  | GMSS516  | 10-16    | 9/12*0.6                    | 100     | 1000    | 32*27*14            | 13.00            | ≥ 4.5           |
| GMG22        | GMS22  | GMSS22  | GMSS522  | 12-22    | 9/12*0.6                    | 100     | 1000    | 38*27*14            | 15.50            | ≥ 4.5           |
| GMG25        | GMS25  | GMSS25  | GMSS525  | 16-25    | 9/12*0.6                    | 100     | 1000    | 38*27*14            | 16.00            | ≥ 4.5           |
| GMG32        | GMS32  | GMSS32  | GMSS532  | 20-32    | 9/12*0.6                    | 50      | 1000    | 38*27*19            | 18.40            | ≥ 5             |
| GMG40        | GMS40  | GMSS40  | GMSS540  | 25-40    | 9/12*0.6                    | 50      | 500     | 38*27*21            | 10.20            | ≥ 5             |
| GMG45        | GMS45  | GMSS45  | GMSS545  | 30-45    | 9/12*0.6                    | 50      | 500     | 38*27*17            | 10.70            | ≥ 5             |
| GMG50        | GMS50  | GMSS50  | GMSS550  | 32-50    | 9/12*0.6                    | 50      | 500     | 38*27*19            | 11.20            | ≥ 5             |
| GMG60        | GMS60  | GMSS60  | GMSS560  | 40-60    | 9/12*0.6                    | 20      | 500     | 38*27*21            | 12.00            | ≥ 5             |
| GMG70        | GMS70  | GMSS70  | GMSS570  | 50-70    | 9/12*0.6                    | 20      | 500     | 38*27*21            | 13.00            | ≥ 5             |
| GMG80        | GMS80  | GMSS80  | GMSS580  | 60-80    | 9/12*0.6                    | 20      | 500     | 38*27*29            | 13.90            | ≥ 5             |
| GMG90        | GMS90  | GMSS90  | GMSS590  | 70-90    | 9/12*0.6                    | 20      | 500     | 38*27*34            | 14.70            | ≥ 5             |
| GMG100       | GMS100 | GMSS100 | GMSS5100 | 80-100   | 9/12*0.6                    | 20      | 250     | 41*32*32            | 8.00             | ≥ 5             |
| GMG110       | GMS110 | GMSS110 | GMSS5110 | 90-110   | 9/12*0.6                    | 20      | 250     | 38*27*24            | 9.00             | ≥ 5             |
| GMG120       | GMS120 | GMSS120 | GMSS5120 | 100-120  | 9/12*0.6                    | 20      | 250     | 38*27*29            | 9.30             | ≥ 5             |
| GMG130       | GMS130 | GMSS130 | GMSS5130 | 110-130  | 9/12*0.6                    | 20      | 250     | 38*27*29            | 9.90             | ≥ 5             |
| GMG140       | GMS140 | GMSS140 | GMSS5140 | 120-140  | 9/12*0.6                    | 20      | 250     | 38*27*34            | 10.30            | ≥ 5             |
| GMG150       | GMS150 | GMSS150 | GMSS5150 | 130-150  | 9/12*0.6                    | 20      | 250     | 41*32*32            | 10.60            | ≥ 5             |
| GMG160       | GMS160 | GMSS160 | GMSS5160 | 140-160  | 9/12*0.6                    | 10      | 250     | 41*32*32            | 11.00            | ≥ 5             |
| GMG170       | GMS170 | GMSS170 | GMSS5170 | 150-170  | 9/12*0.6                    | 10      | 250     | 41*32*32            | 11.40            | ≥ 5             |
| GMG180       | GMS180 | GMSS180 | GMSS5180 | 160-180  | 9/12*0.6                    | 10      | 250     | 41*32*32            | 12.00            | ≥ 5             |
| GMG190       | GMS190 | GMSS190 | GMSS5190 | 170-190  | 9/12*0.6                    | 10      | 250     | 41*32*32            | 12.50            | ≥ 5             |
| GMG200       | GMS200 | GMSS200 | GMSS5200 | 180-200  | 9/12*0.6                    | 10      | 100     | 40*37*30            | 5.40             | ≥ 5             |
| GMG210       | GMS210 | GMSS210 | GMSS5210 | 190-210  | 9/12*0.6                    | 10      | 100     | 40*37*30            | 6.00             | ≥ 5             |
| GMG220       | GMS220 | GMSS220 | GMSS5220 | 200-220  | 9/12*0.6                    | 10      | 100     | 40*37*30            | 6.50             | ≥ 5             |
| GMG230       | GMS230 | GMSS230 | GMSS5230 | 210-230  | 9/12*0.6                    | 10      | 100     | 40*37*30            | 7.00             | ≥ 5             |





## 德式手柄喉箍

Germany Hose Clamp With Butterfly Key



### Note:

Butterfly Key: plastic, galvanized steel and stainless steel

1.HGMG:galvanized steel

2.HGMS:band and housing are stainless steel, screw is galvanized steel

3.HGMSS:stainless steel 200 or 300 series

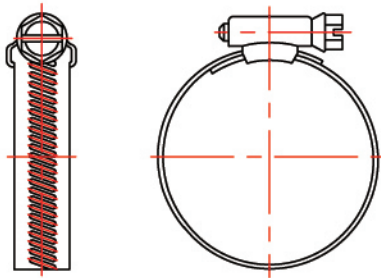
4.HGMSS5:stainless steel 316

### Germany Type Hose Clamp With Butterfly key

| Product Code |         |          |           | Size (mm) | Bandwidth*Thickness (mm) | Package |         | Carton Size (cm) | G.W./Ctn (kg) | Torque (N.m) |
|--------------|---------|----------|-----------|-----------|--------------------------|---------|---------|------------------|---------------|--------------|
|              |         |          |           |           |                          | pcs/bag | pcs/ctn |                  |               |              |
| HGMG20       | HGMS20  | HGMSS20  | HGMSS520  | 12-20     | 9/12*0.6                 | 100     | 1000    | 32*27*16         | 17.80         | ≥ 5          |
| HGMG25       | HGMS25  | HGMSS25  | HGMSS525  | 16-25     | 9/12*0.6                 | 50      | 1000    | 38*27*16         | 18.30         | ≥ 5          |
| HGMG32       | HGMS32  | HGMSS32  | HGMSS532  | 20-32     | 9/12*0.6                 | 50      | 500     | 38*27*19         | 10.30         | ≥ 5          |
| HGMG40       | HGMS40  | HGMSS40  | HGMSS540  | 25-40     | 9/12*0.6                 | 50      | 500     | 38*27*19         | 11.00         | ≥ 5          |
| HGMG50       | HGMS50  | HGMSS50  | HGMSS550  | 32-50     | 9/12*0.6                 | 50      | 500     | 38*29*21         | 11.70         | ≥ 5          |
| HGMG60       | HGMS60  | HGMSS60  | HGMSS560  | 40-60     | 9/12*0.6                 | 20      | 500     | 38*27*29         | 12.10         | ≥ 5          |
| HGMG70       | HGMS70  | HGMSS70  | HGMSS570  | 50-70     | 9/12*0.6                 | 20      | 500     | 38*29*21         | 13.30         | ≥ 5          |
| HGMG80       | HGMS80  | HGMSS80  | HGMSS580  | 60-80     | 9/12*0.6                 | 20      | 500     | 38*29*29         | 14.10         | ≥ 5          |
| HGMG90       | HGMS90  | HGMSS90  | HGMSS590  | 70-90     | 9/12*0.6                 | 20      | 500     | 38*27*34         | 14.80         | ≥ 5          |
| HGMG100      | HGMS100 | HGMSS100 | HGMSS5100 | 80-100    | 9/12*0.6                 | 10      | 250     | 38*27*23         | 7.80          | ≥ 5          |
| HGMG110      | HGMS110 | HGMSS110 | HGMSS5110 | 90-110    | 9/12*0.6                 | 10      | 250     | 41*32*32         | 8.00          | ≥ 5          |
| HGMG120      | HGMS120 | HGMSS120 | HGMSS5120 | 100-120   | 9/12*0.6                 | 10      | 250     | 38*27*21         | 8.30          | ≥ 5          |
| HGMG130      | HGMS130 | HGMSS130 | HGMSS5130 | 110-130   | 9/12*0.6                 | 10      | 200     | 38*29*29         | 8.60          | ≥ 5          |
| HGMG140      | HGMS140 | HGMSS140 | HGMSS5140 | 120-140   | 9/12*0.6                 | 10      | 200     | 38*29*34         | 9.30          | ≥ 5          |
| HGMG150      | HGMS150 | HGMSS150 | HGMSS5150 | 130-150   | 9/12*0.6                 | 10      | 200     | 41*32*34         | 9.70          | ≥ 5          |
| HGMG160      | HGMS160 | HGMSS160 | HGMSS5160 | 140-160   | 9/12*0.6                 | 10      | 200     | 41*32*34         | 10.30         | ≥ 5          |
| HGMG170      | HGMS170 | HGMSS170 | HGMSS5170 | 150-170   | 9/12*0.6                 | 10      | 100     | 38*32*32         | 10.80         | ≥ 5          |
| HGMG180      | HGMS180 | HGMSS180 | HGMSS5180 | 160-180   | 9/12*0.6                 | 10      | 100     | 41*32*34         | 11.50         | ≥ 5          |
| HGMG190      | HGMS190 | HGMSS190 | HGMSS5190 | 170-190   | 9/12*0.6                 | 10      | 100     | 40*37*37         | 12.30         | ≥ 5          |
| HGMG200      | HGMS200 | HGMSS200 | HGMSS5200 | 180-200   | 9/12*0.6                 | 10      | 100     | 40*37*37         | 13.00         | ≥ 5          |
| HGMG210      | HGMS210 | HGMSS210 | HGMSS5210 | 190-210   | 9/12*0.6                 | 10      | 100     | 40*37*37         | 13.80         | ≥ 5          |
| HGMG220      | HGMS220 | HGMSS220 | HGMSS5220 | 200-220   | 9/12*0.6                 | 10      | 100     | 38*29*34         | 14.70         | ≥ 5          |
| HGMG230      | HGMS230 | HGMSS230 | HGMSS5230 | 210-230   | 9/12*0.6                 | 10      | 100     | 40*37*30         | 15.20         | ≥ 5          |



**美式包头喉箍**  
American Type Hose Clamp



**Note:**

- 1.AG:galvanized steel
- 2.AS:band and housing are stainless steel,screw is galvanized steel
- 3.ASS:stainless steel 200 or 300 series
- 4.ASS5:stainless steel 316

American Type Hose Clamp

| Product Code |       |        |         | Size (mm) | Bandwidth*Thickness (mm) | Package |         | Carton Size (cm) | G.W./Ctn (kg) | Torque (N.m) |
|--------------|-------|--------|---------|-----------|--------------------------|---------|---------|------------------|---------------|--------------|
|              |       |        |         |           |                          | pcs/bag | pcs/ctn |                  |               |              |
| AG12         | AS12  | ASS12  | ASS512  | 8-12      | 8*0.6                    | 100     | 2000    | 38*27*14         | 15            | ≥ 2.5        |
| AG16         | AS16  | ASS16  | ASS516  | 10-16     | 8*0.6                    | 100     | 2000    | 38*27*19         | 16            | ≥ 2.5        |
| AG24         | AS24  | ASS24  | ASS524  | 14-24     | 8*0.6                    | 100     | 2000    | 38*27*19         | 17            | ≥ 2.5        |
| AG28         | AS28  | ASS28  | ASS528  | 18-28     | 8*0.6                    | 100     | 1000    | 38*27*17         | 9             | ≥ 2.5        |
| AG36         | AS36  | ASS36  | ASS536  | 24-36     | 8*0.6                    | 100     | 1000    | 38*27*24         | 11            | ≥ 2.5        |
| AG20         | AS20  | ASS20  | ASS520  | 11-20     | 12.7*0.6                 | 100     | 1000    | 36*28*26         | 17            | ≥ 6          |
| AG23         | AS23  | ASS23  | ASS523  | 13-23     | 12.7*0.6                 | 100     | 1000    | 36*28*28         | 18            | ≥ 6          |
| AG27         | AS27  | ASS27  | ASS527  | 14-27     | 12.7*0.6                 | 100     | 1000    | 36*28*30         | 19            | ≥ 6          |
| AG32         | AS32  | ASS32  | ASS532  | 18-32     | 12.7*0.6                 | 100     | 1000    | 36*28*30         | 20            | ≥ 6          |
| AG38         | AS38  | ASS38  | ASS538  | 21-38     | 12.7*0.6                 | 50      | 1000    | 36*28*32         | 21            | ≥ 6          |
| AG44         | AS44  | ASS44  | ASS544  | 21-44     | 12.7*0.6                 | 50      | 500     | 36*28*29         | 11            | ≥ 6          |
| AG51         | AS51  | ASS51  | ASS551  | 27-51     | 12.7*0.6                 | 50      | 500     | 36*29*27         | 12            | ≥ 6          |
| AG57         | AS57  | ASS57  | ASS557  | 33-57     | 12.7*0.6                 | 50      | 500     | 36*28*32         | 13            | ≥ 6          |
| AG63         | AS63  | ASS63  | ASS563  | 40-63     | 12.7*0.6                 | 50      | 500     | 36*28*34         | 14            | ≥ 6          |
| AG70         | AS70  | ASS70  | ASS570  | 46-70     | 12.7*0.6                 | 25      | 500     | 36*28*38         | 14            | ≥ 6          |
| AG76         | AS76  | ASS76  | ASS576  | 52-76     | 12.7*0.6                 | 25      | 500     | 42*34*33         | 15            | ≥ 6          |
| AG82         | AS82  | ASS82  | ASS582  | 59-82     | 12.7*0.6                 | 25      | 500     | 42*34*35         | 16            | ≥ 6          |
| AG89         | AS89  | ASS89  | ASS589  | 65-89     | 12.7*0.6                 | 25      | 250     | 39*28*32         | 9             | ≥ 6          |
| AG95         | AS95  | ASS95  | ASS595  | 72-95     | 12.7*0.6                 | 25      | 250     | 39*28*34         | 10            | ≥ 6          |
| AG101        | AS101 | ASS101 | ASS5101 | 78-101    | 12.7*0.6                 | 10      | 200     | 51*28*22         | 8             | ≥ 6          |
| AG108        | AS108 | ASS108 | ASS5108 | 84-108    | 12.7*0.6                 | 10      | 200     | 51*28*27         | 8             | ≥ 6          |
| AG114        | AS114 | ASS114 | ASS5114 | 91-114    | 12.7*0.6                 | 10      | 200     | 38*27*35         | 9             | ≥ 6          |
| AG127        | AS127 | ASS127 | ASS5127 | 105-127   | 12.7*0.6                 | 10      | 200     | 36*29*41         | 9             | ≥ 6          |
| AG140        | AS140 | ASS140 | ASS5140 | 117-140   | 12.7*0.6                 | 10      | 200     | 36*30*43         | 11            | ≥ 6          |
| AG153        | AS153 | ASS153 | ASS5153 | 130-153   | 12.7*0.6                 | 10      | 200     | 36*30*45         | 12            | ≥ 6          |
| AG165        | AS165 | ASS165 | ASS5165 | 142-165   | 12.7*0.6                 | 10      | 200     | 36*30*47         | 12            | ≥ 6          |
| AG178        | AS178 | ASS178 | ASS5178 | 155-178   | 12.7*0.6                 | 10      | 200     | 36*30*49         | 13            | ≥ 6          |



## 美式手柄喉箍

American Type Hose Clamp  
With Butterfly Key



### Note:

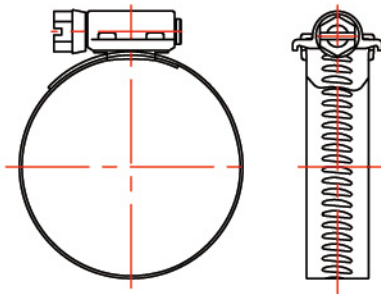
- Butterfly Key: plastic ,galvanized steel and stainless steel  
 1.AG:galvanized steel  
 2.AS:band and housing are stainless steel,screw is galvanized steel  
 3.ASS:stainless steel 200 or 300 series  
 4.ASS5:stainless steel 316

American Type Hose Clamp With Butterfly Key

| Product Code |       |        |         | Size (mm) | Bandwidth*Thickness (mm) | Package |         | Carton Size (cm) | G.W./Ctn (kg) | Torque (N.m) |
|--------------|-------|--------|---------|-----------|--------------------------|---------|---------|------------------|---------------|--------------|
|              |       |        |         |           |                          | pcs/bag | pcs/ctn |                  |               |              |
| AG12         | AS12  | ASS12  | ASS512  | 8-12      | 8*0.6                    | 100     | 2000    | 38*27*16         | 16.00         | ≥ 2.5        |
| AG16         | AS16  | ASS16  | ASS516  | 10-16     | 8*0.6                    | 100     | 2000    | 38*27*19         | 16.50         | ≥ 2.5        |
| AG24         | AS24  | ASS24  | ASS524  | 14-24     | 8*0.6                    | 100     | 2000    | 38*27*19         | 17.00         | ≥ 2.5        |
| AG28         | AS28  | ASS28  | ASS528  | 18-28     | 8*0.6                    | 100     | 1000    | 38*27*17         | 9.50          | ≥ 2.5        |
| AG36         | AS36  | ASS36  | ASS536  | 24-36     | 8*0.6                    | 100     | 1000    | 38*27*24         | 11.50         | ≥ 2.5        |
| AG20         | AS20  | ASS20  | ASS520  | 11-20     | 12.7*0.6                 | 100     | 1000    | 36*27*26         | 17.80         | ≥ 6          |
| AG23         | AS23  | ASS23  | ASS523  | 13-23     | 12.7*0.6                 | 100     | 1000    | 36*28*28         | 18.20         | ≥ 6          |
| AG27         | AS27  | ASS27  | ASS527  | 14-27     | 12.7*0.6                 | 100     | 1000    | 36*28*30         | 19.00         | ≥ 6          |
| AG32         | AS32  | ASS32  | ASS532  | 18-32     | 12.7*0.6                 | 100     | 1000    | 36*28*30         | 20.30         | ≥ 6          |
| AG38         | AS38  | ASS38  | ASS538  | 21-38     | 12.7*0.6                 | 50      | 1000    | 36*28*32         | 21.40         | ≥ 6          |
| AG44         | AS44  | ASS44  | ASS544  | 21-44     | 12.7*0.6                 | 50      | 500     | 36*28*30         | 11.50         | ≥ 6          |
| AG51         | AS51  | ASS51  | ASS551  | 27-51     | 12.7*0.6                 | 50      | 500     | 36*29*30         | 12.30         | ≥ 6          |
| AG57         | AS57  | ASS57  | ASS557  | 33-57     | 12.7*0.6                 | 50      | 500     | 36*28*32         | 13.40         | ≥ 6          |
| AG63         | AS63  | ASS63  | ASS563  | 40-63     | 12.7*0.6                 | 50      | 500     | 36*30*34         | 14.00         | ≥ 6          |
| AG70         | AS70  | ASS70  | ASS570  | 46-70     | 12.7*0.6                 | 25      | 500     | 36*28*38         | 14.60         | ≥ 6          |
| AG76         | AS76  | ASS76  | ASS576  | 52-76     | 12.7*0.6                 | 25      | 500     | 42*34*33         | 15.20         | ≥ 6          |
| AG82         | AS82  | ASS82  | ASS582  | 59-82     | 12.7*0.6                 | 25      | 500     | 42*33*35         | 16.00         | ≥ 6          |
| AG89         | AS89  | ASS89  | ASS589  | 65-89     | 12.7*0.6                 | 25      | 250     | 39*28*32         | 9.00          | ≥ 6          |
| AG95         | AS95  | ASS95  | ASS595  | 72-95     | 12.7*0.6                 | 25      | 250     | 39*30*34         | 10.20         | ≥ 6          |
| AG101        | AS101 | ASS101 | ASS5101 | 78-101    | 12.7*0.6                 | 10      | 200     | 51*28*22         | 8.20          | ≥ 6          |
| AG108        | AS108 | ASS108 | ASS5108 | 84-108    | 12.7*0.6                 | 10      | 200     | 51*28*27         | 8.80          | ≥ 6          |
| AG114        | AS114 | ASS114 | ASS5114 | 91-114    | 12.7*0.6                 | 10      | 200     | 38*27*37         | 9.30          | ≥ 6          |
| AG127        | AS127 | ASS127 | ASS5127 | 105-127   | 12.7*0.6                 | 10      | 200     | 36*31*41         | 10.10         | ≥ 6          |
| AG140        | AS140 | ASS140 | ASS5140 | 117-140   | 12.7*0.6                 | 10      | 200     | 36*30*43         | 11.30         | ≥ 6          |
| AG153        | AS153 | ASS153 | ASS5153 | 130-153   | 12.7*0.6                 | 10      | 200     | 38*30*45         | 12.00         | ≥ 6          |
| AG165        | AS165 | ASS165 | ASS5165 | 142-165   | 12.7*0.6                 | 10      | 200     | 38*30*47         | 12.80         | ≥ 6          |
| AG178        | AS178 | ASS178 | ASS5178 | 155-178   | 12.7*0.6                 | 10      | 200     | 38*30*49         | 13.50         | ≥ 6          |



美式扣盖喉箍 ( 欧式 )  
European Type Hose Clamp



**Note:**

1. ESS:stainless steel 200 or 300 series
2. ESS5:stainless steel 316

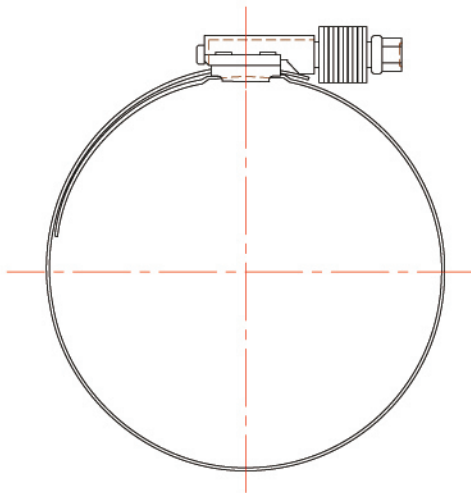
European Type Hose Clamp

| Product Code |              | Size (mm) | Bandwidth*Thickness<br>(mm) | Package |         | Carton Size<br>(cm) | G.W./Ctn<br>(kg) | Torque<br>(N.m) |
|--------------|--------------|-----------|-----------------------------|---------|---------|---------------------|------------------|-----------------|
|              |              |           |                             | pcs/bag | pcs/ctn |                     |                  |                 |
| ESS16/12.7   | ESS516/12.7  | 10-16     | 12.7*0.6                    | 100     | 1000    | 38*27*24            | 16.80            | ≥ 7             |
| ESS19/12.7   | ESS519/12.7  | 13-19     | 12.7*0.6                    | 100     | 1000    | 38*27*29            | 17.50            | ≥ 7             |
| ESS25/12.7   | ESS525/12.7  | 16-25     | 12.7*0.6                    | 100     | 1000    | 38*27*29            | 18.10            | ≥ 7             |
| ESS29/12.7   | ESS529/12.7  | 19-29     | 12.7*0.6                    | 100     | 1000    | 38*27*34            | 18.80            | ≥ 7             |
| ESS32/14.2   | ESS532/14.2  | 22-32     | 14.2*0.6                    | 50      | 1000    | 40*37*28            | 19.50            | ≥ 9             |
| ESS38/14.2   | ESS538/14.2  | 25-38     | 14.2*0.6                    | 50      | 1000    | 40*37*30            | 20.20            | ≥ 9             |
| ESS44/14.2   | ESS544/14.2  | 32-44     | 14.2*0.6                    | 50      | 500     | 38*27*21            | 12.00            | ≥ 9             |
| ESS51/14.2   | ESS551/14.2  | 35-51     | 14.2*0.6                    | 50      | 500     | 38*27*24            | 12.80            | ≥ 9             |
| ESS57/14.2   | ESS557/14.2  | 38-57     | 14.2*0.6                    | 25      | 500     | 38*27*29            | 13.50            | ≥ 9             |
| ESS64/14.2   | ESS564/14.2  | 44-64     | 14.2*0.6                    | 25      | 500     | 38*27*34            | 14.10            | ≥ 9             |
| ESS70/14.2   | ESS570/14.2  | 51-70     | 14.2*0.6                    | 25      | 500     | 40*37*28            | 14.80            | ≥ 9             |
| ESS76/14.2   | ESS576/14.2  | 64-76     | 14.2*0.6                    | 25      | 500     | 40*37*30            | 15.40            | ≥ 9             |
| ESS89/14.2   | ESS589/14.2  | 70-89     | 14.2*0.6                    | 25      | 250     | 38*27*15            | 9.20             | ≥ 9             |
| ESS92/14.2   | ESS592/14.2  | 76-92     | 14.2*0.6                    | 25      | 250     | 38*27*17            | 9.90             | ≥ 9             |
| ESS100/14.2  | ESS5100/14.2 | 80-100    | 14.2*0.6                    | 10      | 250     | 38*27*19            | 10.50            | ≥ 9             |
| ESS110/14.2  | ESS5110/14.2 | 90-110    | 14.2*0.6                    | 10      | 250     | 38*27*21            | 11.20            | ≥ 9             |
| ESS120/14.2  | ESS5120/14.2 | 100-120   | 14.2*0.6                    | 10      | 250     | 38*27*24            | 11.80            | ≥ 9             |
| ESS130/14.2  | ESS5130/14.2 | 110-130   | 14.2*0.6                    | 10      | 250     | 38*27*29            | 12.60            | ≥ 9             |
| ESS140/14.2  | ESS5140/14.2 | 120-140   | 14.2*0.6                    | 10      | 250     | 38*27*34            | 13.20            | ≥ 9             |
| ESS150/14.2  | ESS5150/14.2 | 130-150   | 14.2*0.6                    | 10      | 250     | 40*37*28            | 14.00            | ≥ 9             |
| ESS160/14.2  | ESS5160/14.2 | 140-160   | 14.2*0.6                    | 10      | 250     | 40*37*30            | 14.80            | ≥ 9             |
| ESS170/14.2  | ESS5170/14.2 | 150-170   | 14.2*0.6                    | 10      | 200     | 38*27*34            | 15.50            | ≥ 9             |
| ESS180/14.2  | ESS5180/14.2 | 160-180   | 14.2*0.6                    | 10      | 200     | 40*37*28            | 16.40            | ≥ 9             |



## 美式重型卡箍

Heavy Duty American  
Type Hose Clamp



### Note:

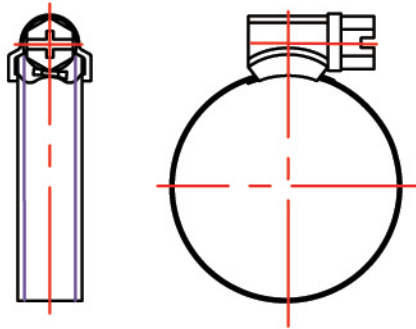
- 1.AHDSS:stainless steel 200 or 300 series
- 2.AHDSS5:stainless steel 316

### Heavy Duty American Type Hose Clamp

| Product Code | Size (mm) | Bandwidth*Thickness (mm) | Package (pcs/ctn) | Carton Size (cm) | G.W./Ctn (kg) | Torque (N.m) |
|--------------|-----------|--------------------------|-------------------|------------------|---------------|--------------|
| AHDSS45      | AHDSS545  | 26-45                    | 300               | 38*27*21         | 15.20         | ≥ 20         |
| AHDSS54      | AHDSS554  | 32-54                    | 300               | 38*27*21         | 16.00         | ≥ 20         |
| AHDSS67      | AHDSS567  | 45-67                    | 250               | 40*37*28         | 16.90         | ≥ 20         |
| AHDSS79      | AHDSS579  | 57-79                    | 250               | 40*36*30         | 18.20         | ≥ 20         |
| AHDSS92      | AHDSS592  | 70-92                    | 250               | 40*37*35         | 19.50         | ≥ 20         |
| AHDSS105     | AHDSS5105 | 83-105                   | 250               | 40*37*40         | 21.20         | ≥ 20         |
| AHDSS118     | AHDSS5118 | 96-118                   | 250               | 48*40*35         | 22.00         | ≥ 20         |
| AHDSS130     | AHDSS5130 | 108-130                  | 100               | 38*27*17         | 12.00         | ≥ 20         |
| AHDSS143     | AHDSS5143 | 121-143                  | 100               | 38*27*29         | 14.50         | ≥ 20         |
| AHDSS156     | AHDSS5156 | 134-156                  | 100               | 40*37*28         | 15.20         | ≥ 20         |
| AHDSS168     | AHDSS5168 | 146-168                  | 50                | 40*36*30         | 9.22          | ≥ 20         |
| AHDSS181     | AHDSS5181 | 159-181                  | 50                | 38*27*21         | 9.70          | ≥ 20         |
| AHDSS194     | AHDSS5194 | 172-194                  | 50                | 38*27*21         | 10.40         | ≥ 20         |
| AHDSS206     | AHDSS5206 | 184-206                  | 50                | 39*30*34         | 11.20         | ≥ 20         |
| AHDSS219     | AHDSS5219 | 197-219                  | 50                | 39*30*24         | 12.00         | ≥ 20         |
| AHDSS232     | AHDSS5232 | 210-232                  | 50                | 41*34*24         | 12.75         | ≥ 20         |



**英式焊接式喉箍**  
British Type Hose Clamp



**Note:**

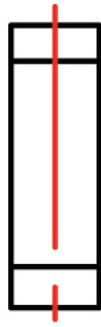
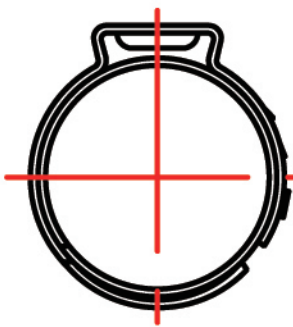
- 1.BG:galvanized steel
- 2.BSS:stainless steel 200 or 300 series
- 3.BSS5:stainless steel 316

British Type Hose Clamp

| Product Code |             |              | Siz (mm) | Bandwidth*<br>Thickness (mm) | Package |         | Caton Size<br>(cm) | G.W./Ctn<br>(kg) | Torque<br>(N.m) |
|--------------|-------------|--------------|----------|------------------------------|---------|---------|--------------------|------------------|-----------------|
|              |             |              |          |                              | pcs/bag | pcs/ctn |                    |                  |                 |
| BG12/9.7     | BSS12/9.7   | BSS512/9.7   | 9.5-12   | 9.7*0.8                      | 100     | 1000    | 38*27*11           | 9.50             | ≥ 5             |
| BG16/9.7     | BSS16/9.7   | BSS516/9.7   | 11-16    | 9.7*0.8                      | 100     | 1000    | 38*27*11           | 10.50            | ≥ 5             |
| BG20/9.7     | BSS20/9.7   | BSS520/9.7   | 13-20    | 9.7*0.8                      | 100     | 1000    | 38*27*11           | 12.50            | ≥ 5             |
| BG22/9.7     | BSS22/9.7   | BSS522/9.7   | 16-22    | 9.7*0.8                      | 100     | 1000    | 38*27*19           | 16.00            | ≥ 5             |
| BG25/9.7     | BSS25/9.7   | BSS525/9.7   | 18-25    | 9.7*0.8                      | 100     | 1000    | 38*27*19           | 18.50            | ≥ 5             |
| BG30/11.7    | BSS30/11.7  | BSS530/11.7  | 22-30    | 11.7*0.9                     | 50      | 1000    | 38*27*29           | 17.50            | ≥ 5             |
| BG35/11.7    | BSS35/11.7  | BSS535/11.7  | 25-35    | 11.7*0.9                     | 50      | 1000    | 38*27*29           | 22.00            | ≥ 5             |
| BG40/11.7    | BSS40/11.7  | BSS540/11.7  | 30-40    | 11.7*0.9                     | 50      | 500     | 38*27*24           | 11.00            | ≥ 5             |
| BG45/11.7    | BSS45/11.7  | BSS545/11.7  | 32-45    | 11.7*0.9                     | 50      | 500     | 38*27*24           | 12.00            | ≥ 5             |
| BG50/11.7    | BSS50/11.7  | BSS550/11.7  | 35-50    | 11.7*0.9                     | 50      | 500     | 38*27*29           | 13.50            | ≥ 5             |
| BG55/11.7    | BSS55/11.7  | BSS555/11.7  | 40-55    | 11.7*0.9                     | 25      | 500     | 40*37*28           | 14.30            | ≥ 5             |
| BG60/11.7    | BSS60/11.7  | BSS560/11.7  | 45-60    | 11.7*0.9                     | 25      | 500     | 40*37*28           | 14.30            | ≥ 5             |
| BG70/11.7    | BSS70/11.7  | BSS570/11.7  | 55-70    | 11.7*0.9                     | 10      | 250     | 38*27*29           | 8.33             | ≥ 5             |
| BG80/11.7    | BSS80/11.7  | BSS580/11.7  | 60-80    | 11.7*0.9                     | 10      | 250     | 38*27*29           | 9.00             | ≥ 5             |
| BG90/11.7    | BSS90/11.7  | BSS590/11.7  | 70-90    | 11.7*0.9                     | 10      | 250     | 40*37*30           | 9.62             | ≥ 5             |
| BG100/11.7   | BSS100/11.7 | BSS5100/11.7 | 85-100   | 11.7*0.9                     | 10      | 250     | 40*37*30           | 10.00            | ≥ 5             |
| BG120/11.7   | BSS120/11.7 | BSS5120/11.7 | 90-120   | 11.7*0.9                     | 10      | 250     | 40*37*35           | 11.36            | ≥ 5             |
| BG140/11.7   | BSS140/11.7 | BSS5140/11.7 | 110-140  | 11.7*0.9                     | 10      | 200     | 40*37*35           | 10.26            | ≥ 5             |
| BG150/11.7   | BSS150/11.7 | BSS5150/11.7 | 120-150  | 11.7*0.9                     | 10      | 200     | 40*37*40           | 11.00            | ≥ 5             |
| BG165/11.7   | BSS165/11.7 | BSS5165/11.7 | 135-165  | 11.7*0.9                     | 10      | 200     | 40*37*40           | 12.00            | ≥ 5             |



**单耳无极卡箍**  
Single Ear Hose Clamp



**Note:**  
ESS:stainless steel 304

Single Ear Hose Clamp

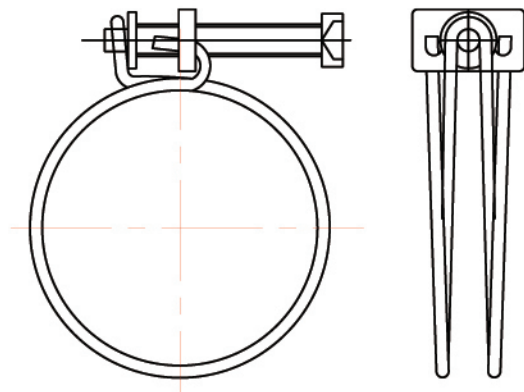
| Product Code | Size(mm) | Bandwidth*Thickness(mm) |
|--------------|----------|-------------------------|
| ESS6.5       | 6.5      | 5*0.5                   |
| ESS7         | 7        | 5*0.5                   |
| ESS8         | 8        | 5*0.5                   |
| ESS8.7       | 8.7      | 5*0.5                   |
| ESS9.5       | 9.5      | 5*0.5                   |
| ESS10.5      | 10.5     | 5*0.5                   |
| ESS11.8      | 11.8     | 5*0.5                   |
| ESS11.9      | 11.9     | 7*0.6                   |
| ESS12.3      | 12.3     | 7*0.6                   |
| ESS12.8      | 12.8     | 7*0.6                   |
| ESS13.3      | 13.3     | 7*0.6                   |
| ESS14        | 14       | 7*0.6                   |
| ESS14.5      | 14.5     | 7*0.6                   |
| ESS15.3      | 15.3     | 7*0.6                   |
| ESS15.7      | 15.7     | 7*0.6                   |
| ESS16.2      | 16.2     | 7*0.6                   |
| ESS17        | 17       | 7*0.6                   |
| ESS17.5      | 17.5     | 7*0.6                   |
| ESS18.5      | 18.5     | 7*0.6                   |
| ESS19.2      | 19.2     | 7*0.6                   |
| ESS19.8      | 19.8     | 7*0.6                   |
| ESS21        | 21       | 7*0.6                   |

| Product Code | Size(mm) | Bandwidth*Thickness(mm) |
|--------------|----------|-------------------------|
| ESS22.6      | 22.6     | 7*0.6                   |
| ESS24.1      | 24.1     | 7*0.6                   |
| ESS25        | 25       | 7*0.6                   |
| ESS25.6      | 25.6     | 7*0.6                   |
| ESS26        | 26       | 7*0.6                   |
| ESS27.1      | 27.1     | 7*0.6                   |
| ESS28.6      | 28.6     | 7*0.6                   |
| ESS31.6      | 31.6     | 7*0.6                   |
| ESS34.6      | 34.6     | 7*0.6                   |
| ESS37.6      | 37.6     | 7*0.6                   |
| ESS39.6      | 39.6     | 7*0.6                   |
| ESS42.5      | 42.5     | 7*0.6                   |
| ESS48.5      | 48.5     | 7*0.6                   |
| ESS56        | 56       | 7*0.6                   |
| ESS68        | 68       | 7*0.6                   |
| ESS71        | 71       | 7*0.6                   |
| ESS84        | 84       | 7*0.6                   |
| ESS92.5      | 92.5     | 7*0.6                   |
| ESS101       | 101      | 7*0.6                   |
| ESS111       | 111      | 7*0.6                   |
| ESS120.5     | 120.5    | 7*0.6                   |



## 双钢丝卡箍

Double Wire Hose Clamp



### Note:

- 1.DWG:galvanized steel
- 2.DWSS:stainless steel 200 or 300 series
- 3.DWSS5:stainless steel 316

Double Wire Hose Clamp

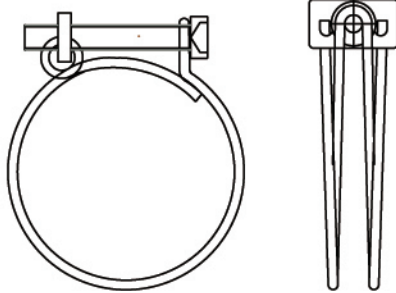
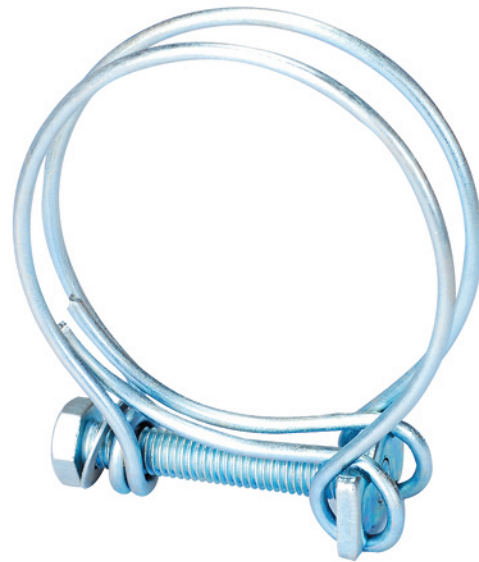
| Product Code |         |          | Size (mm) | Wire Diameter (mm) | Package |         | Carton Size (cm) | G.W./Ctn (kg) |
|--------------|---------|----------|-----------|--------------------|---------|---------|------------------|---------------|
|              |         |          |           |                    | pcs/bag | pcs/ctn |                  |               |
| DWG16        | DWSS16  | DWSS516  | 13-16     | 2.0                | 100     | 1000    | 30*23*14         | 13.00         |
| DWG19        | DWSS19  | DWSS519  | 16-19     | 2.0                | 100     | 1000    | 24*22*17         | 16.00         |
| DWG23        | DWSS23  | DWSS523  | 19-23     | 2.0                | 100     | 1000    | 24*22*17         | 18.00         |
| DWG26        | DWSS26  | DWSS526  | 23-26     | 2.5                | 100     | 500     | 37*27*17         | 10.00         |
| DWG32        | DWSS32  | DWSS532  | 26-32     | 2.5                | 100     | 500     | 37*27*17         | 12.50         |
| DWG38        | DWSS38  | DWSS538  | 32-38     | 2.5                | 100     | 500     | 34*27*16         | 15.00         |
| DWG42        | DWSS42  | DWSS542  | 38-42     | 3.0                | 50      | 500     | 35*28*16         | 25.00         |
| DWG48        | DWSS48  | DWSS548  | 42-48     | 3.0                | 50      | 250     | 35*38*18         | 13.25         |
| DWG60        | DWSS60  | DWSS560  | 52-60     | 3.0                | 50      | 250     | 36*19*22         | 14.50         |
| DWG66        | DWSS66  | DWSS566  | 58-66     | 3.0                | 50      | 250     | 37*23*25         | 15.50         |
| DWG73        | DWSS73  | DWSS573  | 61-73     | 3.0                | 25      | 250     | 37*26*28         | 16.00         |
| DWG80        | DWSS80  | DWSS580  | 74-80     | 3.0                | 25      | 200     | 37*26*28         | 13.00         |
| DWG89        | DWSS89  | DWSS589  | 82-89     | 3.0                | 25      | 200     | 37*26*28         | 14.00         |
| DWG98        | DWSS98  | DWSS598  | 92-98     | 3.0                | 25      | 200     | 43*41*25         | 17.00         |
| DWG115       | DWSS115 | DWSS5115 | 103-115   | 3.5                | 10      | 200     | 43*41*25         | 20.00         |
| DWG125       | DWSS125 | DWSS5125 | 115-125   | 3.5                | 10      | 200     | 52*42*28         | 22.00         |





## 法式双钢丝

France Type Double Wire Hose Clamp



### Note:

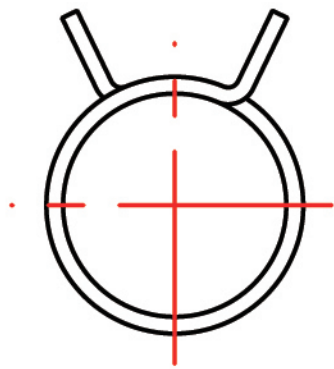
- 1.FG:galvanized steel
- 2.FSS:stainless steel 200 or 300 series

### France Type Double Wire Hose Clamp

| Product Code |        | Size (mm) | Wire Diameter (mm) | Package |         | Carton Size (cm) | G.W./Ctn (kg) |
|--------------|--------|-----------|--------------------|---------|---------|------------------|---------------|
|              |        |           |                    | pcs/bag | pcs/ctn |                  |               |
| FG16         | FSS16  | 13-16     | 2.0                | 100     | 1000    | 30*23*14         | 13.00         |
| FG19         | FSS19  | 16-19     | 2.0                | 100     | 1000    | 24*22*17         | 16.00         |
| FG23         | FSS23  | 19-23     | 2.0                | 100     | 1000    | 24*22*17         | 18.00         |
| FG26         | FSS26  | 23-26     | 2.5                | 100     | 500     | 37*27*17         | 10.00         |
| FG32         | FSS32  | 26-32     | 2.5                | 100     | 500     | 37*27*17         | 12.50         |
| FG38         | FSS38  | 32-38     | 2.5                | 100     | 500     | 34*27*16         | 15.00         |
| FG42         | FSS42  | 38-42     | 3.0                | 50      | 500     | 35*28*16         | 25.00         |
| FG48         | FSS48  | 42-48     | 3.0                | 50      | 250     | 35*38*18         | 13.25         |
| FG60         | FSS60  | 52-60     | 3.0                | 50      | 250     | 36*19*22         | 14.50         |
| FG66         | FSS66  | 58-66     | 3.0                | 50      | 250     | 37*23*25         | 15.50         |
| FG73         | FSS73  | 61-73     | 3.0                | 25      | 250     | 37*26*28         | 16.00         |
| FG80         | FSS80  | 74-80     | 3.0                | 25      | 200     | 37*26*28         | 13.00         |
| FG89         | FSS89  | 82-89     | 3.0                | 25      | 200     | 37*26*28         | 14.00         |
| FG98         | FSS98  | 92-98     | 3.0                | 25      | 200     | 43*41*25         | 17.00         |
| FG115        | FSS115 | 103-115   | 3.5                | 10      | 200     | 43*41*25         | 20.00         |
| FG25         | FSS125 | 115-125   | 3.5                | 10      | 200     | 52*42*28         | 22.00         |



**彈簧卡箍**  
Spring Hose Clamp



**Note:**

- 1.SG:galvanized 65Mn steel
- 2.SD: dacromet 65Mn steel
- 3.SC:color-harden 65Mn steel

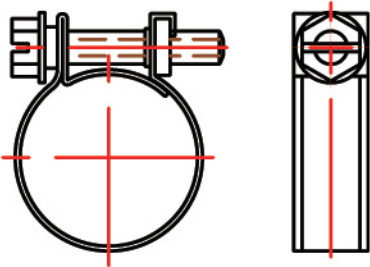
Spring Hose Clamp

| Product Code |        |        | Size (mm) | Bandwidth*Thickness (mm) |
|--------------|--------|--------|-----------|--------------------------|
| SG4          | SD4    | SC4    | 4         | 6*0.4                    |
| SG5          | SD5    | SC5    | 5         | 6*0.6                    |
| SG6          | SD6    | SC6    | 6         | 6*0.6                    |
| SG7          | SD7    | SC7    | 7         | 6*0.6                    |
| SG8          | SD8    | SC8    | 8         | 8*0.8                    |
| SG9          | SD9    | SC9    | 9         | 8*0.8                    |
| SG9.5        | SD9.5  | SC9.5  | 9.5       | 8*0.8                    |
| SG10         | SD10   | SC10   | 10        | 8*0.8                    |
| SG10.5       | SD10.5 | SC10.5 | 10.5      | 8*0.8                    |
| SG11         | SD11   | SC11   | 11        | 8*0.8                    |
| SG11.5       | SD11.5 | SC11.5 | 11.5      | 8*0.8                    |
| SG12         | SD12   | SC12   | 12        | 8*0.8                    |
| SG12.5       | SD12.5 | SC12.5 | 12.5      | 8*0.8                    |
| SG13         | SD13   | SC13   | 13        | 10*1.0                   |
| SG13.5       | SD13.5 | SC13.5 | 13.5      | 10*1.0                   |
| SG14         | SD14   | SC14   | 14        | 10*1.0                   |
| SG14.5       | SD14.5 | SC14.5 | 14.5      | 10*1.0                   |
| SG15         | SD15   | SC15   | 15        | 10*1.0                   |
| SG16         | SD16   | SC16   | 16        | 12*1.0                   |
| SG17         | SD17   | SC17   | 17        | 12*1.0                   |
| SG18         | SD18   | SC18   | 18        | 12*1.0                   |

| Product Code |      |      | Size (mm) | Bandwidth*Thickness (mm) |
|--------------|------|------|-----------|--------------------------|
| SG19         | SD19 | SC19 | 19        | 12*1.0                   |
| SG20         | SD20 | SC20 | 20        | 12*1.0                   |
| SG21         | SD21 | SC21 | 21        | 12*1.0                   |
| SG23         | SD23 | SC23 | 23        | 12*1.2                   |
| SG24         | SD24 | SC24 | 24        | 12*1.2                   |
| SG25         | SD25 | SC25 | 25        | 12*1.2                   |
| SG26         | SD26 | SC26 | 26        | 12*1.2                   |
| SG27         | SD27 | SC27 | 27        | 15*1.5                   |
| SG28         | SD28 | SC28 | 28        | 15*1.5                   |
| SG29         | SD29 | SC29 | 29        | 15*1.5                   |
| SG30         | SD30 | SC30 | 30        | 15*1.5                   |
| SG33         | SD33 | SC33 | 33        | 12*1.8                   |
| SG35         | SD35 | SC35 | 35        | 12*1.8                   |
| SG36         | SD36 | SC36 | 36        | 12*1.8                   |
| SG39         | SD39 | SC39 | 39        | 12*1.8                   |
| SG42         | SD42 | SC42 | 42        | 12*1.8                   |
| SG44         | SD44 | SC44 | 44        | 12*1.8                   |
| SG45         | SD45 | SC45 | 45        | 12*1.8                   |
| SG47         | SD47 | SC47 | 47        | 15*2.0                   |
| SG52         | SD52 | SC52 | 52        | 15*2.0                   |
| SG60         | SD60 | SC60 | 60        | 15*2.5                   |



**迷你卡箍**  
Mini Hose Clamp



**Note:**

1.MNG:galvanized steel

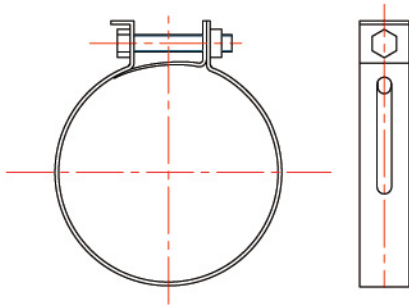
2.MNSS:stainless steel 200 or 300 series

Mini Hose Clamp

| Product Code |        | Size(mm) | Bandwidth*Thickness<br>(mm) | Package |         | Carton Size<br>(cm) | G.W./Ctn<br>(kg) |
|--------------|--------|----------|-----------------------------|---------|---------|---------------------|------------------|
|              |        |          |                             | pcs/bag | pcs/ctn |                     |                  |
| MNG9         | MNSS9  | 7-9      | 9*0.5                       | 200     | 2000    | 32*27*15            | 10               |
| MNG10        | MNSS10 | 8-10     | 9*0.5                       | 200     | 2000    | 32*27*15            | 10               |
| MNG11        | MNSS11 | 9-11     | 9*0.5                       | 100     | 2000    | 32*27*15            | 11               |
| MNG12        | MNSS12 | 10-12    | 9*0.5                       | 100     | 2000    | 32*27*15            | 11               |
| MNG13        | MNSS13 | 11-13    | 9*0.5                       | 100     | 2000    | 37*27*15            | 12               |
| MNG14        | MNSS14 | 12-14    | 9*0.5                       | 100     | 2000    | 37*27*15            | 12               |
| MNG15        | MNSS15 | 13-15    | 9*0.5                       | 100     | 2000    | 37*27*15            | 13               |
| MNG16        | MNSS16 | 14-16    | 9*0.5                       | 100     | 2000    | 37*27*15            | 13               |
| MNG17        | MNSS17 | 15-17    | 9*0.5                       | 100     | 2000    | 37*27*15            | 14               |
| MNG18        | MNSS18 | 16-18    | 9*0.5                       | 100     | 2000    | 37*27*15            | 14               |
| MNG19        | MNSS19 | 17-19    | 9*0.5                       | 100     | 2000    | 32*27*19            | 15               |
| MNG20        | MNSS20 | 18-20    | 9*0.5                       | 100     | 2000    | 32*27*19            | 15               |
| MNG21        | MNSS21 | 19-21    | 9*0.5                       | 50      | 1000    | 37*27*15            | 8                |
| MNG22        | MNSS22 | 20-22    | 9*0.5                       | 50      | 1000    | 37*27*15            | 8                |
| MNG23        | MNSS23 | 21-23    | 9*0.5                       | 50      | 1000    | 32*27*19            | 9                |
| MNG24        | MNSS24 | 22-24    | 9*0.5                       | 50      | 1000    | 32*27*19            | 9                |
| MNG25        | MNSS25 | 23-25    | 9*0.5                       | 50      | 1000    | 32*27*19            | 10               |
| MNG26        | MNSS26 | 24-26    | 9*0.5                       | 50      | 1000    | 32*27*19            | 10               |
| MNG27        | MNSS27 | 25-27    | 9*0.5                       | 50      | 1000    | 32*27*19            | 11               |
| MNG28        | MNSS28 | 26-28    | 9*0.5                       | 50      | 1000    | 32*27*19            | 11               |
| MNG29        | MNSS29 | 27-29    | 9*0.5                       | 50      | 1000    | 32*27*19            | 11               |
| MNG30        | MNSS30 | 28-30    | 9*0.5                       | 50      | 1000    | 37*27*15            | 6                |
| MNG31        | MNSS31 | 29-31    | 9*0.5                       | 50      | 1000    | 37*27*15            | 6                |
| MNG32        | MNSS32 | 30-32    | 9*0.5                       | 50      | 1000    | 37*27*15            | 6                |
| MNG33        | MNSS33 | 31-33    | 9*0.5                       | 50      | 1000    | 37*27*15            | 7                |
| MNG34        | MNSS34 | 32-34    | 9*0.5                       | 50      | 1000    | 37*27*15            | 7                |



**MG 系列卡箍**  
Mangote Pipe Clamp



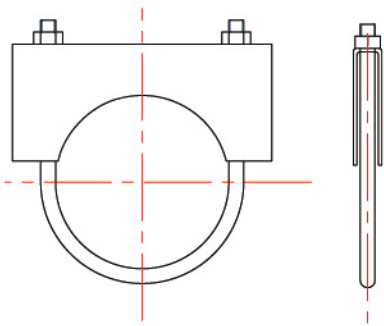
**Note:**  
MGG:galvanized steel

Mangote Pipe Clamp

| Product Code | Size(mm) | Bandwidth*Thickness<br>(mm) | Package |         | Carton Size<br>(cm) | G.W./Ctn<br>(kg) |
|--------------|----------|-----------------------------|---------|---------|---------------------|------------------|
|              |          |                             | pcs/bag | pcs/ctn |                     |                  |
| MGG20        | 17-20    | 20*1.2                      | 10      | 300     | 38*27*19            | 15.23            |
| MGG22        | 19-22    | 20*1.2                      | 10      | 400     | 38*27*24            | 19.95            |
| MGG26        | 20-26    | 20*1.2                      | 10      | 400     | 38*27*21            | 17.64            |
| MGG28        | 22-28    | 20*1.2                      | 10      | 400     | 38*27*21            | 17.75            |
| MGG32        | 29-32    | 20*1.2                      | 10      | 400     | 38*27*29            | 19.16            |
| MGG34        | 30-34    | 20*1.2                      | 10      | 200     | 38*27*29            | 9.45             |
| MGG40        | 35-40    | 20*1.2                      | 10      | 200     | 38*27*21            | 10.87            |
| MGG47        | 39-47    | 20*1.2                      | 10      | 200     | 38*27*24            | 12.13            |
| MGG56        | 48-56    | 20*1.2                      | 10      | 200     | 38*27*29            | 13.28            |
| MGG62        | 54-62    | 20*1.2                      | 10      | 200     | 38*27*24            | 13.91            |
| MGG75        | 67-75    | 20*1.2                      | 10      | 200     | 38*27*27            | 17.27            |
| MGG87        | 79-87    | 20*1.2                      | 10      | 100     | 38*27*27            | 9.24             |
| MGG117       | 105-117  | 20*1.2                      | 10      | 100     | 38*27*29            | 16.80            |
| MGG32        | 29-32    | 32*2.0                      | 10      | 100     | 38*27*13            | 12.18            |
| MGG40        | 35-40    | 32*2.0                      | 10      | 100     | 38*27*21            | 13.44            |
| MGG47        | 39-47    | 32*2.0                      | 10      | 100     | 38*27*21            | 14.49            |
| MGG56        | 48-56    | 32*2.0                      | 10      | 100     | 38*27*29            | 17.27            |
| MGG62        | 54-62    | 32*2.0                      | 10      | 100     | 38*27*29            | 17.75            |
| MGG69        | 61-69    | 32*2.0                      | 10      | 100     | 38*27*34            | 18.48            |
| MGG75        | 67-75    | 32*2.0                      | 10      | 100     | 38*27*34            | 17.96            |
| MGG81        | 73-81    | 32*2.0                      | 10      | 100     | 38*27*21            | 9.45             |
| MGG87        | 79-87    | 32*2.0                      | 10      | 100     | 38*27*21            | 9.45             |
| MGG94        | 86-94    | 32*2.0                      | 10      | 100     | 38*27*24            | 10.50            |
| MGG100       | 92-100   | 32*2.0                      | 10      | 50      | 38*27*24            | 10.50            |
| MGG107       | 99-107   | 32*2.0                      | 10      | 50      | 38*27*29            | 11.55            |
| MGG117       | 105-117  | 32*2.0                      | 10      | 50      | 38*27*29            | 11.55            |
| MGG123       | 111-123  | 32*2.0                      | 10      | 50      | 38*27*34            | 12.60            |
| MGG129       | 117-129  | 32*2.0                      | 10      | 50      | 38*27*34            | 12.60            |
| MGG136       | 124-136  | 32*2.0                      | 10      | 50      | 40*37*28            | 13.07            |
| MGG142       | 130-142  | 32*2.0                      | 5       | 50      | 40*37*28            | 13.39            |
| MGG149       | 137-149  | 32*2.0                      | 5       | 50      | 40*37*30            | 13.65            |
| MGG155       | 143-155  | 32*2.0                      | 5       | 50      | 40*37*30            | 14.12            |
| MGG161       | 149-161  | 32*2.0                      | 5       | 50      | 40*37*30            | 14.70            |
| MGG174       | 162-174  | 32*2.0                      | 5       | 50      | 40*37*30            | 15.23            |
| MGG188       | 175-188  | 32*2.0                      | 5       | 50      | 40*37*35            | 16.17            |
| MGG199       | 187-199  | 32*2.0                      | 5       | 50      | 40*37*40            | 16.64            |
| MGG212       | 200-212  | 32*2.0                      | 5       | 25      | 40*37*28            | 9.14             |
| MGG225       | 213-225  | 32*2.0                      | 5       | 25      | 40*37*30            | 9.56             |
| MGG238       | 226-238  | 32*2.0                      | 5       | 25      | 40*37*30            | 10.03            |
| MGG250       | 238-250  | 32*2.0                      | 5       | 25      | 40*37*35            | 10.29            |
| MGG263       | 251-263  | 32*2.0                      | 5       | 25      | 40*37*40            | 10.71            |
| MGG276       | 264-276  | 32*2.0                      | 5       | 25      | 40*37*40            | 10.97            |



**U 型卡箍**  
U-Bolt Hose Clamp



**Note:**

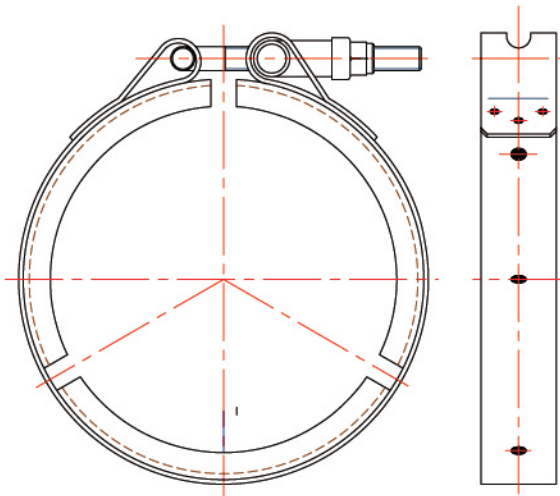
- 1.UG:galvanized steel
- 2.USS:stainless steel 200 or 300 series
- 3.USS5:stainless steel 316

U -Bolt Hose Clamp

| Product Code |        |         | Size Diameter (mm) | Package (pcs/ctn) | Carton Size (cm) | G.W./Ctn (kg) |
|--------------|--------|---------|--------------------|-------------------|------------------|---------------|
| UG25         | USS25  | USS525  | 25                 | 250               | 38*27*15         | 11.10         |
| UG28         | USS28  | USS528  | 28                 | 250               | 38*27*15         | 11.39         |
| UG32         | USS32  | USS532  | 32                 | 200               | 38*27*17         | 12.10         |
| UG35         | USS35  | USS535  | 35                 | 200               | 38*27*19         | 12.60         |
| UG38         | USS38  | USS538  | 38                 | 200               | 38*27*21         | 13.14         |
| UG45         | USS45  | USS545  | 45                 | 200               | 38*27*24         | 17.71         |
| UG48         | USS48  | USS548  | 48                 | 200               | 38*27*27         | 18.14         |
| UG51         | USS51  | USS551  | 51                 | 200               | 38*27*27         | 18.83         |
| UG54         | USS54  | USS554  | 54                 | 200               | 38*27*29         | 19.40         |
| UG57         | USS57  | USS557  | 57                 | 200               | 40*29*31         | 20.20         |
| UG60         | USS60  | USS560  | 60                 | 100               | 38*27*17         | 13.89         |
| UG64         | USS64  | USS564  | 64                 | 100               | 38*27*17         | 14.98         |
| UG67         | USS67  | USS567  | 67                 | 100               | 38*27*27         | 15.85         |
| UG70         | USS70  | USS570  | 70                 | 100               | 38*27*27         | 16.32         |
| UG73         | USS73  | USS573  | 73                 | 100               | 38*27*27         | 16.77         |
| UG76         | USS76  | USS576  | 76                 | 100               | 38*27*34         | 17.10         |
| UG83         | USS83  | USS583  | 83                 | 100               | 38*27*35         | 17.65         |
| UG89         | USS89  | USS589  | 89                 | 100               | 38*27*36         | 18.25         |
| UG95         | USS95  | USS595  | 95                 | 100               | 40*37*35         | 19.32         |
| UG102        | USS102 | USS5102 | 102                | 100               | 40*37*35         | 20.10         |



**V 型沟槽卡箍**  
V Band Pipe Clamp



**Note:**

- 1.VSS:stainless steel 200 or 300 series
- 2.VSS5:stainless steel 316

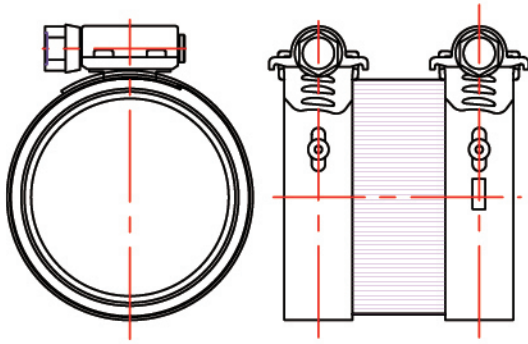
V Band Pipe Clamp

| Product Code |         | Size (mm) | Bandwidth*Thickness (mm) | Package (pcs/ctn) | Carton Size (cm) | G.W./Ctn (kg) |
|--------------|---------|-----------|--------------------------|-------------------|------------------|---------------|
| VSS46        | VSS546  | 40-46     | 25*2.0                   | 200               | 30*28*19         | 12.75         |
| VSS50        | VSS550  | 44-50     | 25*2.0                   | 200               | 34*35*19         | 13.50         |
| VSS54        | VSS554  | 48-54     | 25*2.0                   | 200               | 36*37*19         | 14.20         |
| VSS58        | VSS558  | 52-58     | 25*2.0                   | 200               | 38*37*19         | 14.80         |
| VSS65        | VSS565  | 57-65     | 25*2.0                   | 200               | 39*39*21         | 15.50         |
| VSS71        | VSS571  | 63-71     | 25*2.0                   | 100               | 30*35*24         | 9.80          |
| VSS77        | VSS577  | 68-77     | 25*2.0                   | 100               | 30*37*24         | 10.30         |
| VSS83        | VSS583  | 74-83     | 25*2.0                   | 100               | 34*39*26         | 10.90         |
| VSS89        | VSS589  | 80-89     | 25*2.0                   | 100               | 36*39*26         | 11.30         |
| VSS95        | VSS595  | 86-95     | 25*2.0                   | 100               | 38*41*30         | 11.70         |
| VSS101       | VSS5101 | 92-101    | 25*2.0                   | 100               | 40*42*30         | 12.15         |
| VSS108       | VSS5108 | 96-108    | 25*2.0                   | 100               | 40*42*34         | 12.90         |
| VSS116       | VSS5116 | 104-116   | 25*2.0                   | 100               | 42*42*38         | 13.50         |
| VSS124       | VSS5124 | 112-124   | 25*2.0                   | 100               | 44*42*40         | 14.30         |
| VSS132       | VSS5132 | 120-132   | 25*2.0                   | 50                | 28*29*21.5       | 9.85          |
| VSS140       | VSS5140 | 128-140   | 25*2.0                   | 50                | 30*29*23         | 10.65         |



## 管束卡箍

Coupling Hose Clamp



**Note:**

- 1.CSS:stainless steel 200 or 300 series
- 2.CSS5: stainless steel 316

### Coupling Hose Clamp

| Product Code |         | Size (inch) | Package ( pcs/ctn ) | Carton Size (cm) | G.W./Ctn (kg) |
|--------------|---------|-------------|---------------------|------------------|---------------|
| CSS1.5       | CSS51.5 | 1.5"        | 100                 | 33*24*32         | 16.50         |
| CSS2         | CSS52   | 2"          | 100                 | 37*29*32         | 17.20         |
| CSS3         | CSS53   | 3"          | 100                 | 48*39*32         | 19.50         |
| CSS4         | CSS54   | 4"          | 100                 | 61*49*32         | 21.27         |
| CSS5         | CSS55   | 5"          | 50                  | 58*49*41         | 15.65         |
| CSS6         | CSS56   | 6"          | 50                  | 70*49*41         | 17.00         |
| CSS8         | CSS58   | 8"          | 30                  | 67*46*53         | 14.73         |
| CSS10        | CSS510  | 10"         | 30                  | 80*54*55         | 15.20         |
| CSS12        | CSS512  | 12"         | 16                  | 66*66*45         | 16.00         |



*Muller*

---

Products **guide**



By.  
**MULLER HYDRAULIC COMPONENTS LTD.**  
[muller-hydraulics.com](http://muller-hydraulics.com)